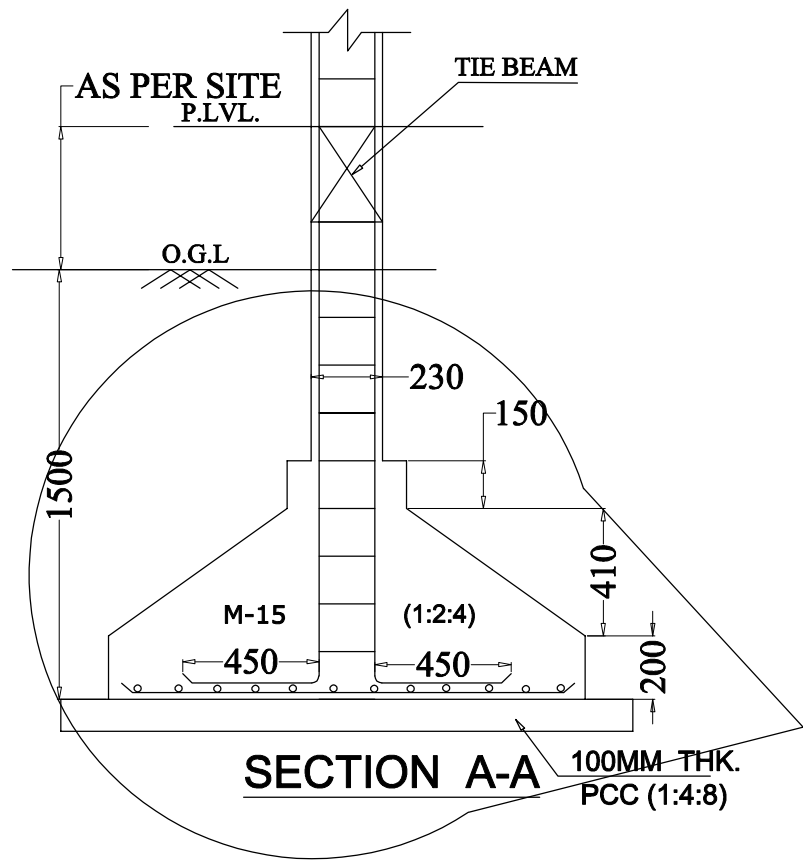
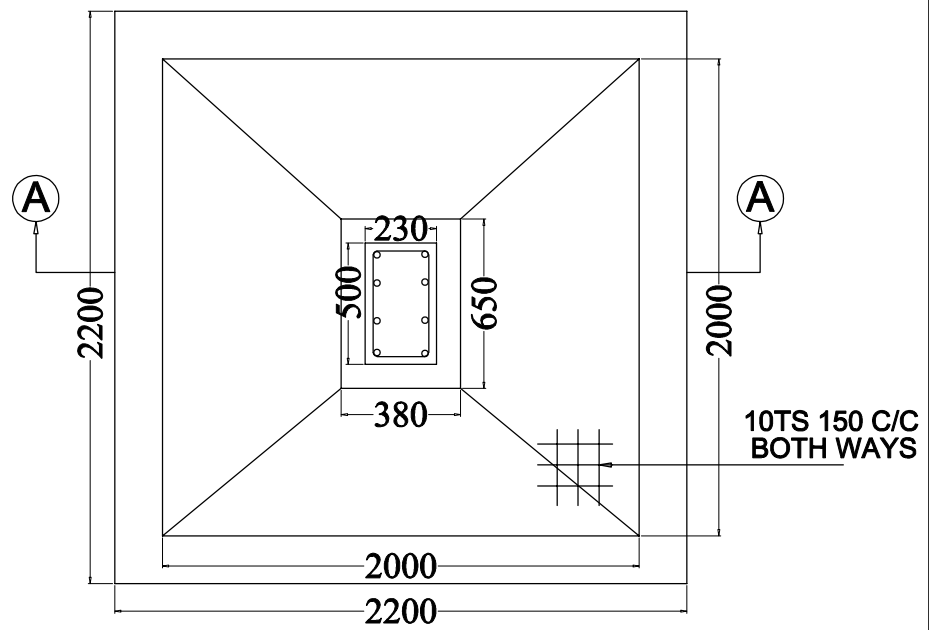


C/S OF COL.



SECTION A-A
100MM THK.
PCC (1:4:8)



PLAN

FOOTING PLAN (AS/STRL. DESIGN)
SCALE N.T.S