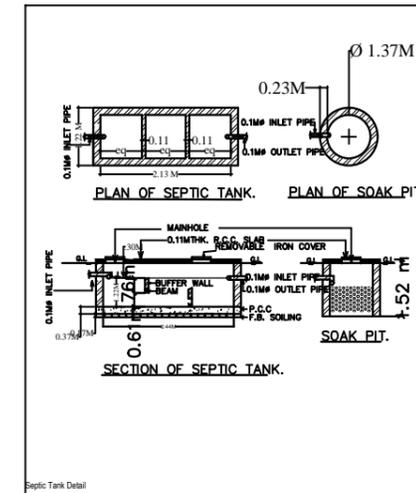
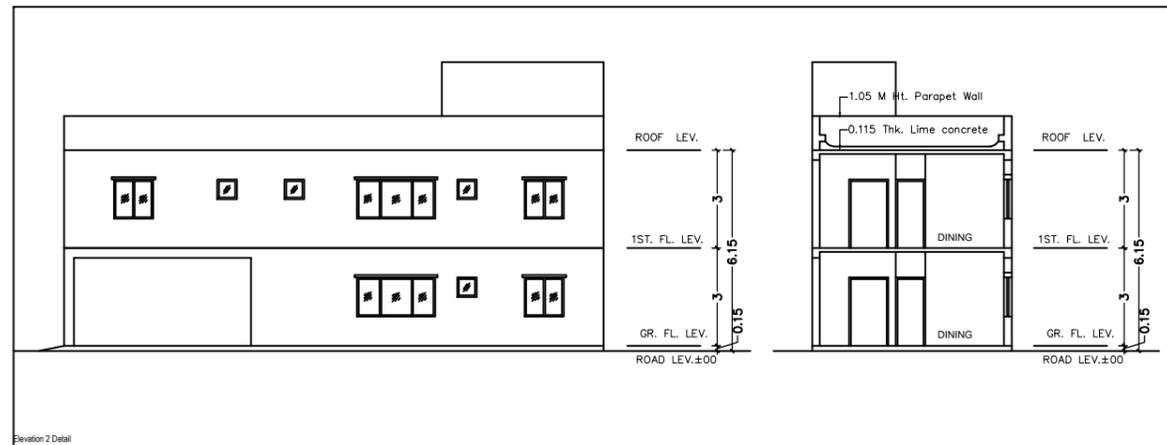
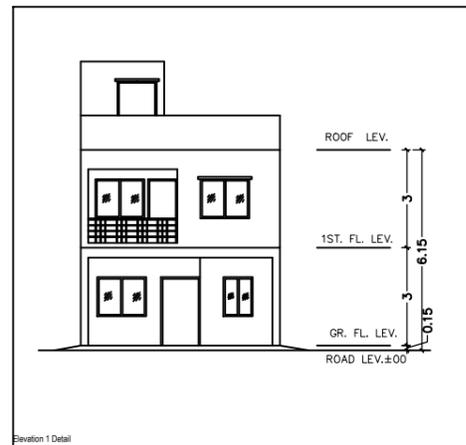


GENERAL SPECIFICATION :-

FOUNDATION : PLAIN CEMENT CONCRETE AS PER DESIGN.
 : R.C.C. COLUMN FOOTING & COLUMN AS PER STRUCTURAL DESIGN.
 SUPER STRUCTURE : 0.23M.THK. EXT. WALL & 0.125M.THK. PARTITION WALL IN CEMENT MORTAR.
 : R.C.C. ROOF SLAB AS PER STRUCTURAL DESIGN.
 FLOOR : MOSAIC CAST IN SITU CERAMIC TILES DADO IN TOILET.
 INTERNAL FINISH : CEMENT PLASTER WITH P.O.P & O.B.D.
 SANITARY : VITROUS CHAINA CLAY SANITARY WARE G.I. PIPE WATER SUPPLY.
 : P.V.C PIPE FOR SEWAGE DISPOSAL.
 DOORS & WINDOW : AS PER SCHEDULE.
 ELECTRICAL : COPPER WIRE WITH P.V.C. CONDUIT.

OFFICE USE



APPROVED:-

SPL.OFFICER,J.N.A.C.

PROPOSED RESIDENTIAL BUILDING PLAN OF
 SMT SWARN KAUR
 SRI DIPANKAR KUMAR SINHA
 SRI TAPAS KUMER SINHA & OTHERS
 HOLDING NO. - 184
 KASIDIH REA
 JAMSHEDPUR
 DISTRICT - EAST SINGHBHUM

SHEET NO. : 1/1 DATE : 30.1.2023

REVISION NO. : 1

OWNER / POAH

Signature of Applicant:-

Signature of ARCHITECT:-

