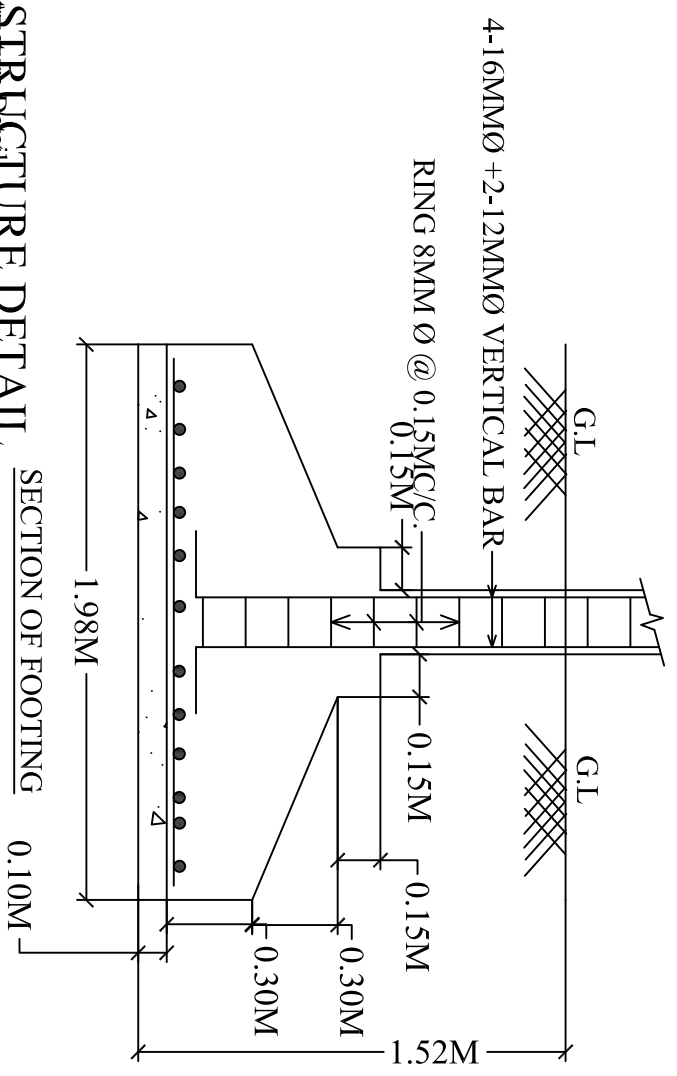
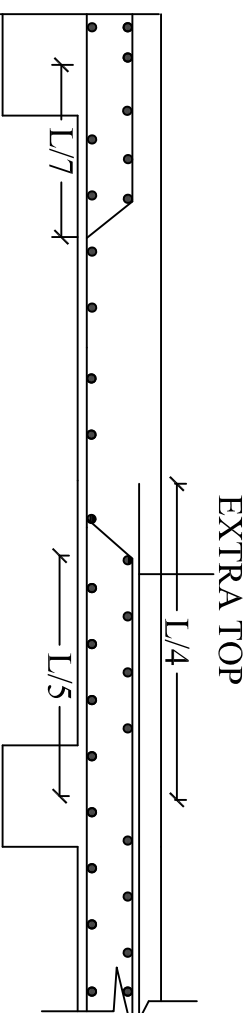


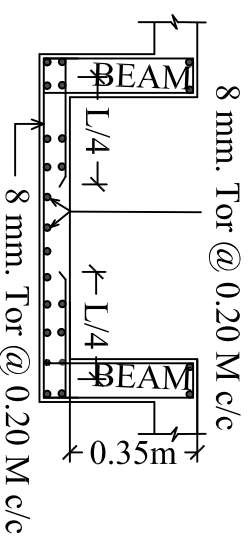
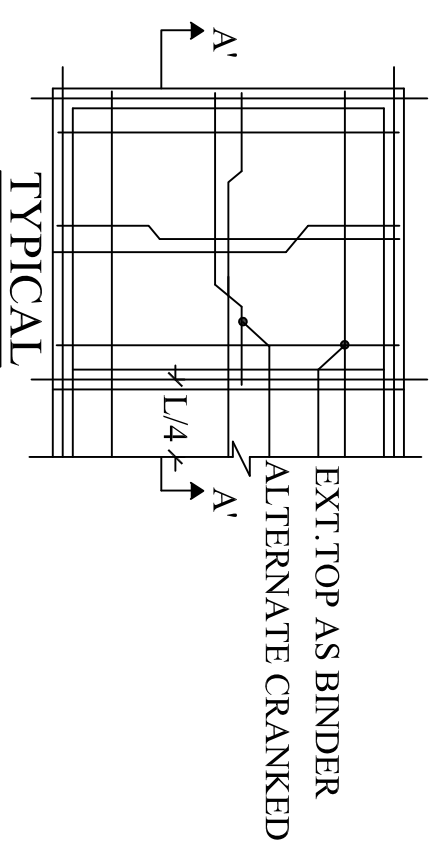
SECTION OF COLUMN.



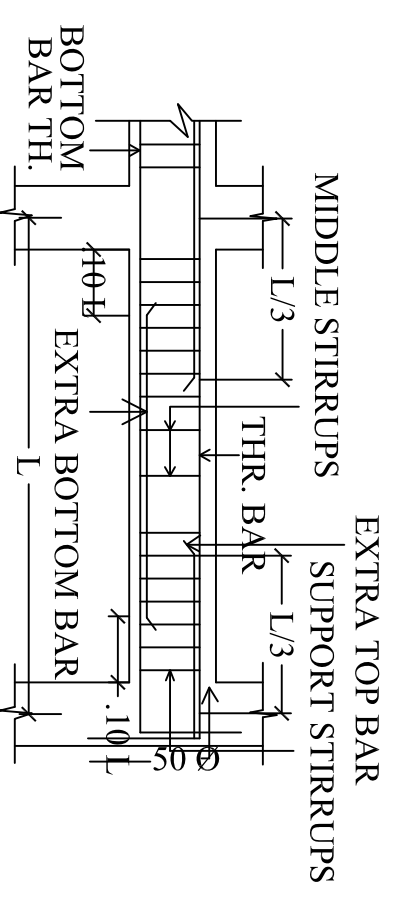
SECTION OF FOOTING



SECTION OF SLAB AT A-A'



THICKNESS OF SLAB = 0.1m



SECTION OF TYPICAL ROOF BEAM

SECTION OF TYPICAL ROOF BEAM