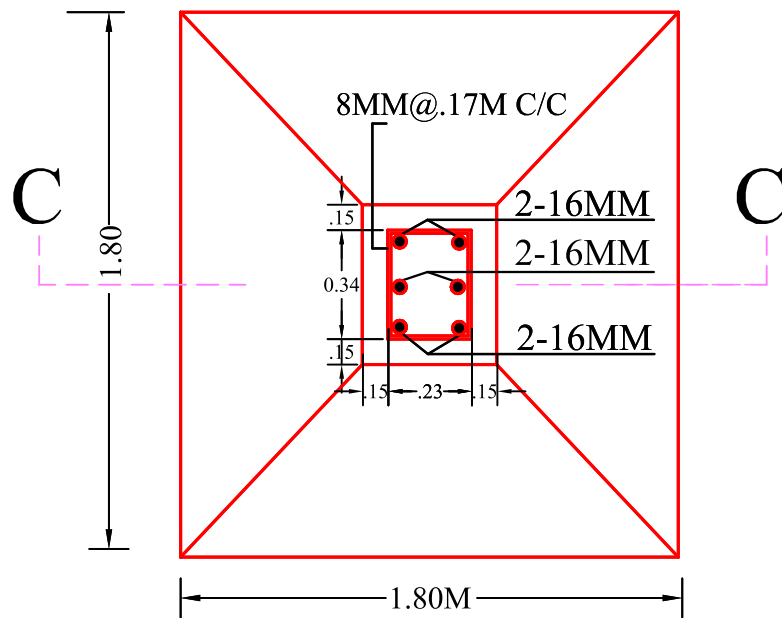


**SECTION - CC**  
SCALE -1:25



**R.C.C. COL. FDN. PLAN**  
SCALE -1:25