

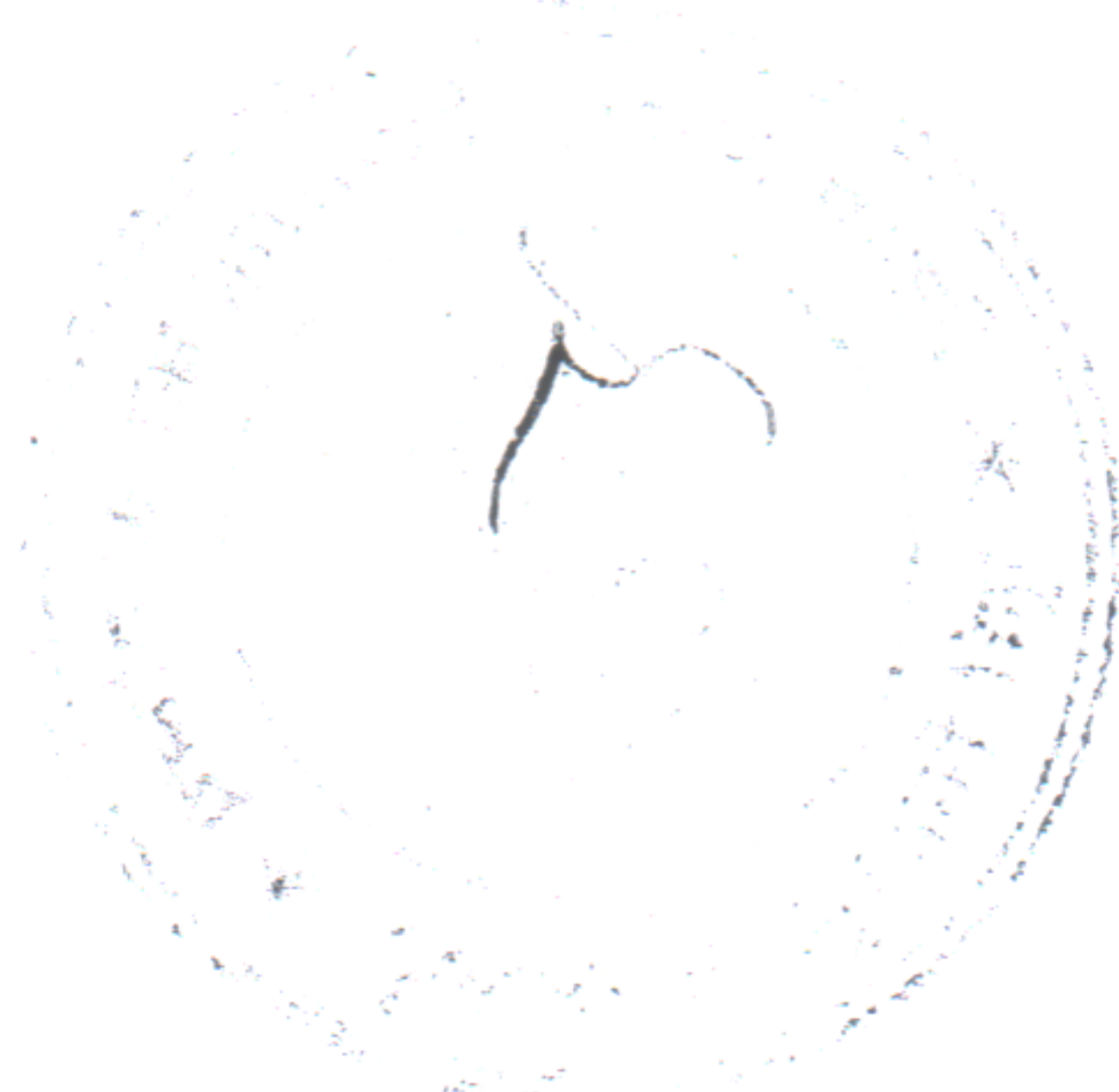
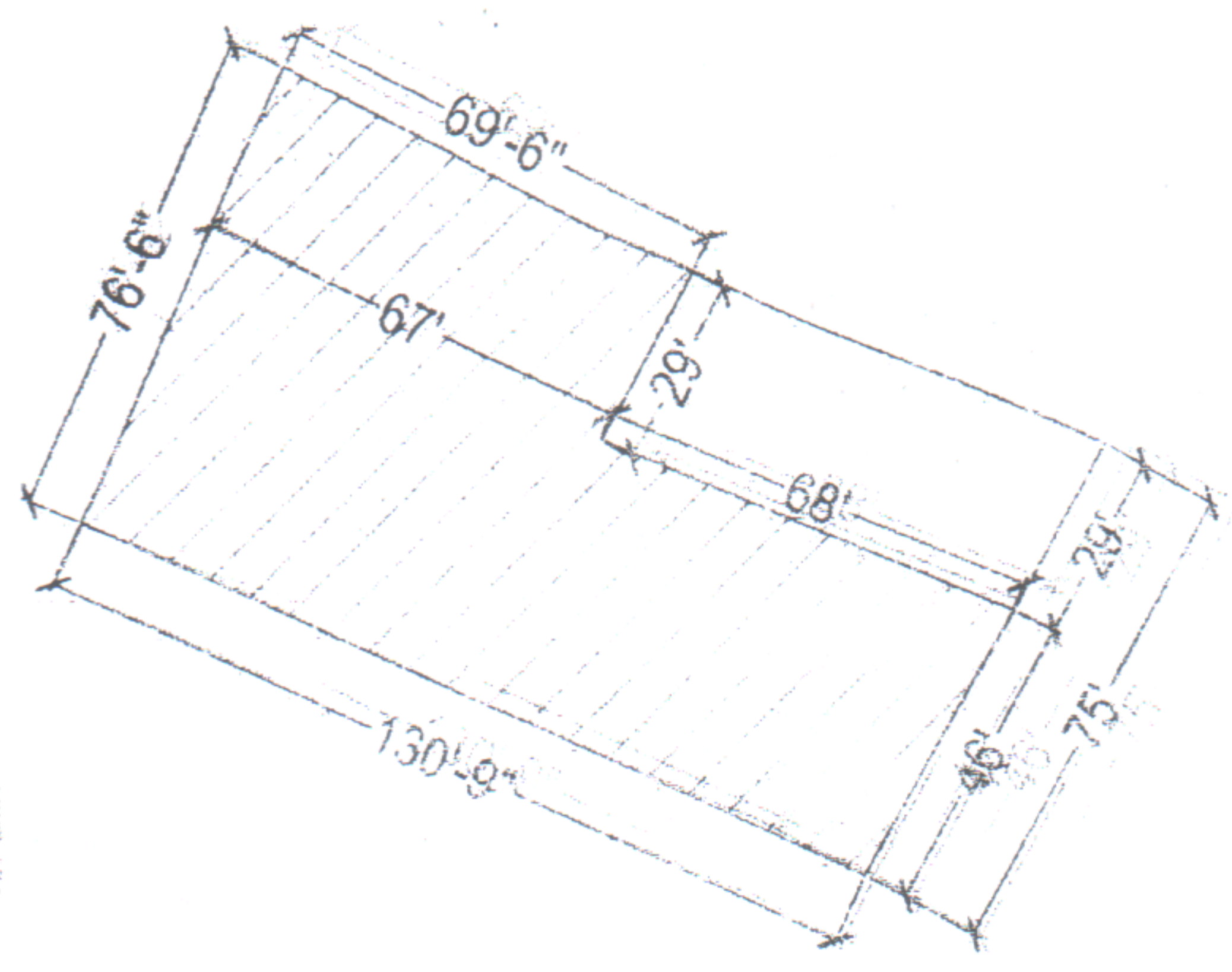
MAC JAMSHEDPUR
WARD NO. - 9, SHEET NO. - 9
REV. THANA - GHATSILA
DIST. - SINGHBHUM
SCALE - 1cm = 20 meter
YEAR - 1970 - 71



PROP. AREA SHOWN IN

KHATA NO	PLOT NO	AREA
209	2096 a	175 Sq.ft
209	b	7933 Sq.ft
		Total Area = 8108 Sq.ft. or (18.61 Dec)

NORTH - PLOT NO. 2095, 2097 & 2096 (P)
 SOUTH - PORTION OF PLOT NO. 2096
 EAST - ROAD
 WEST - ROAD



Goutam Hazra
 Amin
 Reg No. 784/02-03

Antipak Sub