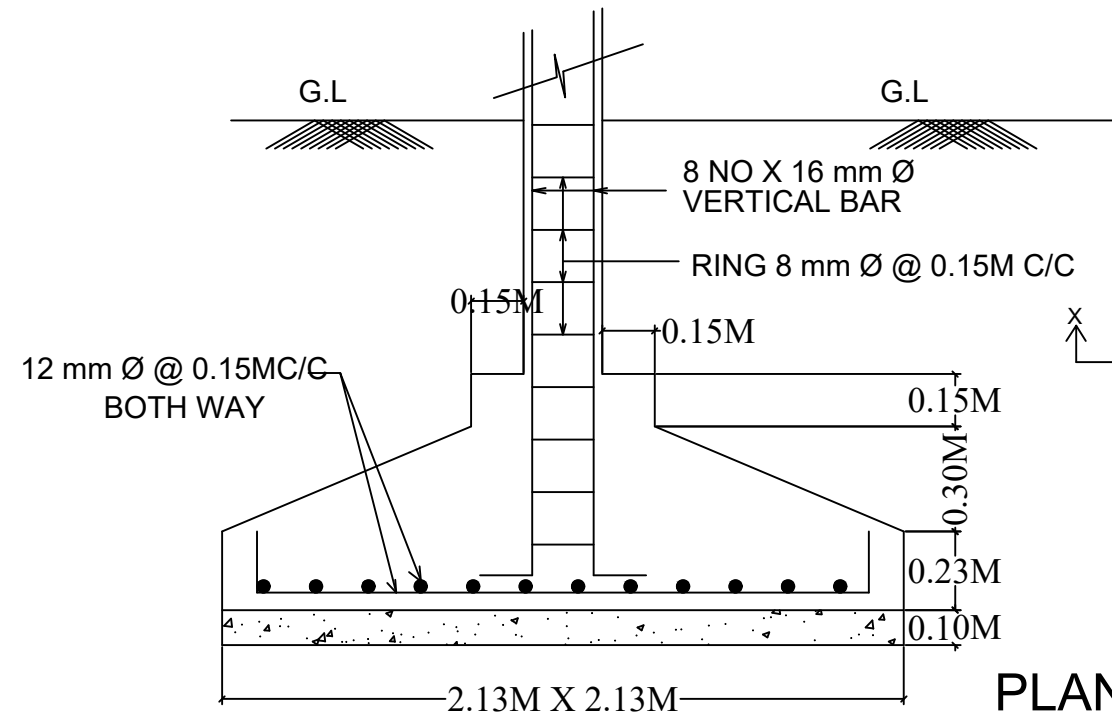
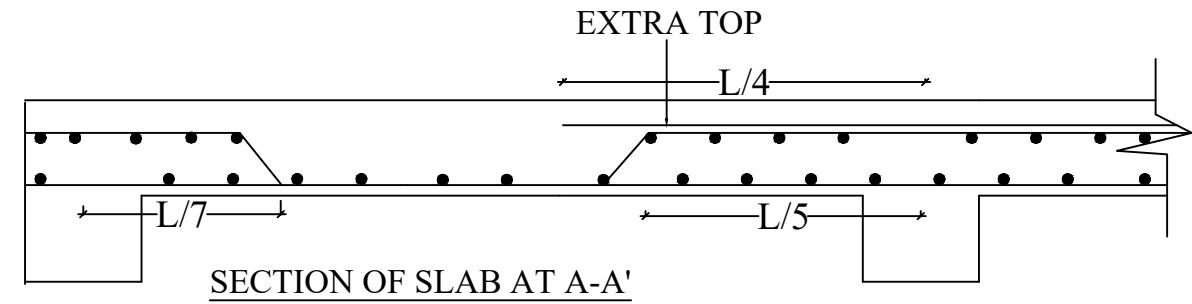
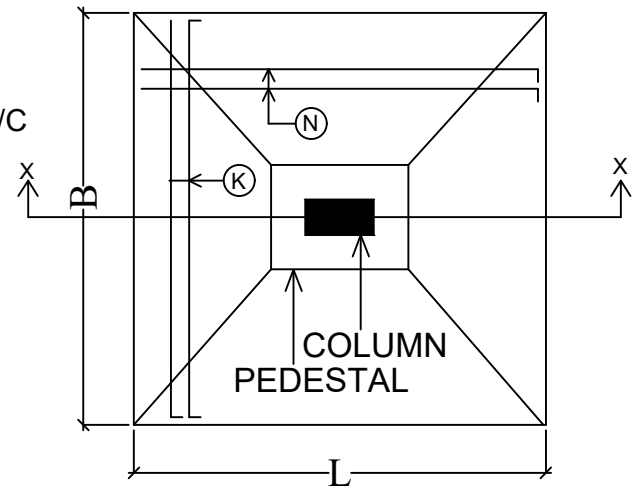


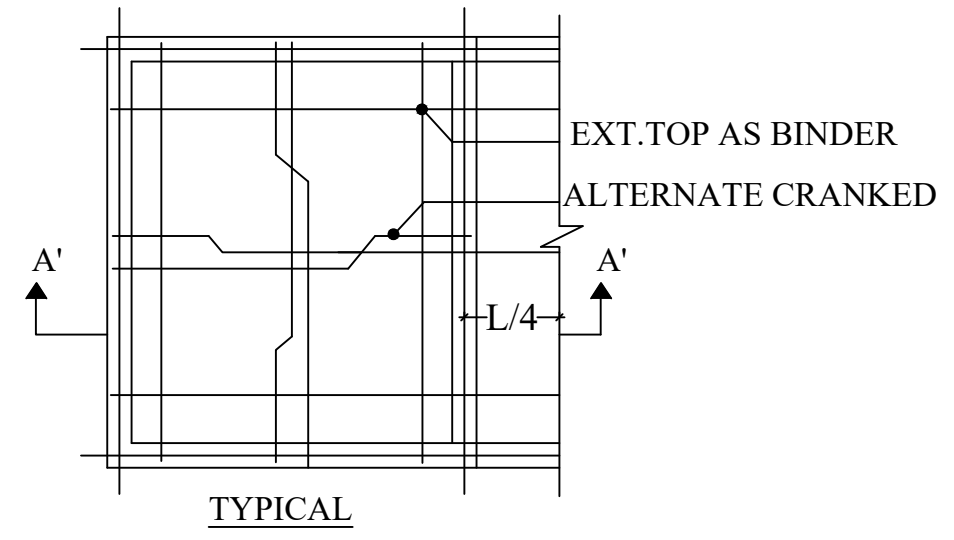
C.S. OF COLUMN .
SIZE - 0.23M X 0.53M



SECTION OF FOOTING .
SIZE - 2.13M X 2.13M



PLAN OF ISOLATED FOOTING



TYPICAL