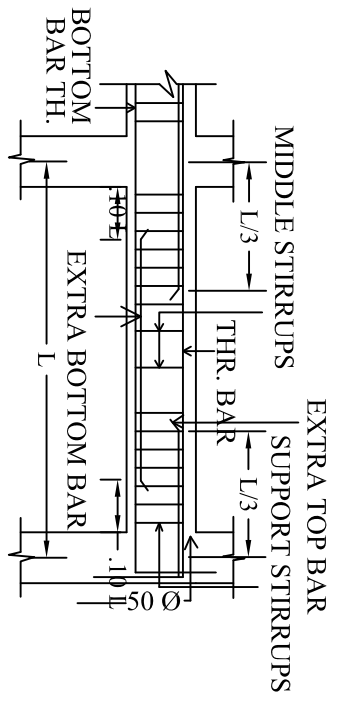
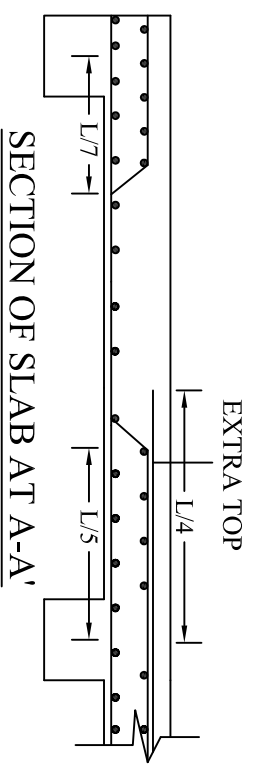
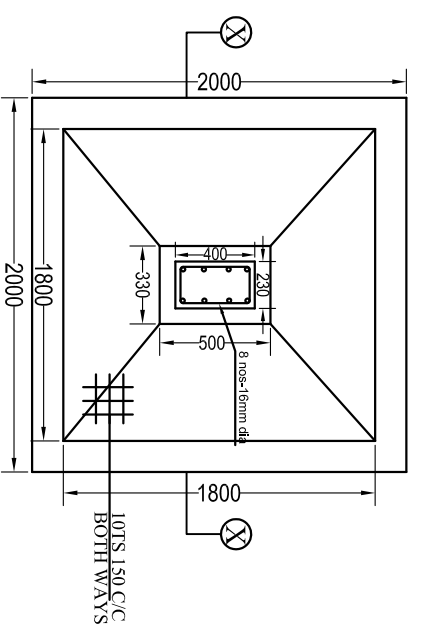


THICKNESS OF SLAB = 0.115m



SECTION OF TYPICAL ROOF BEAM



Structure Detail