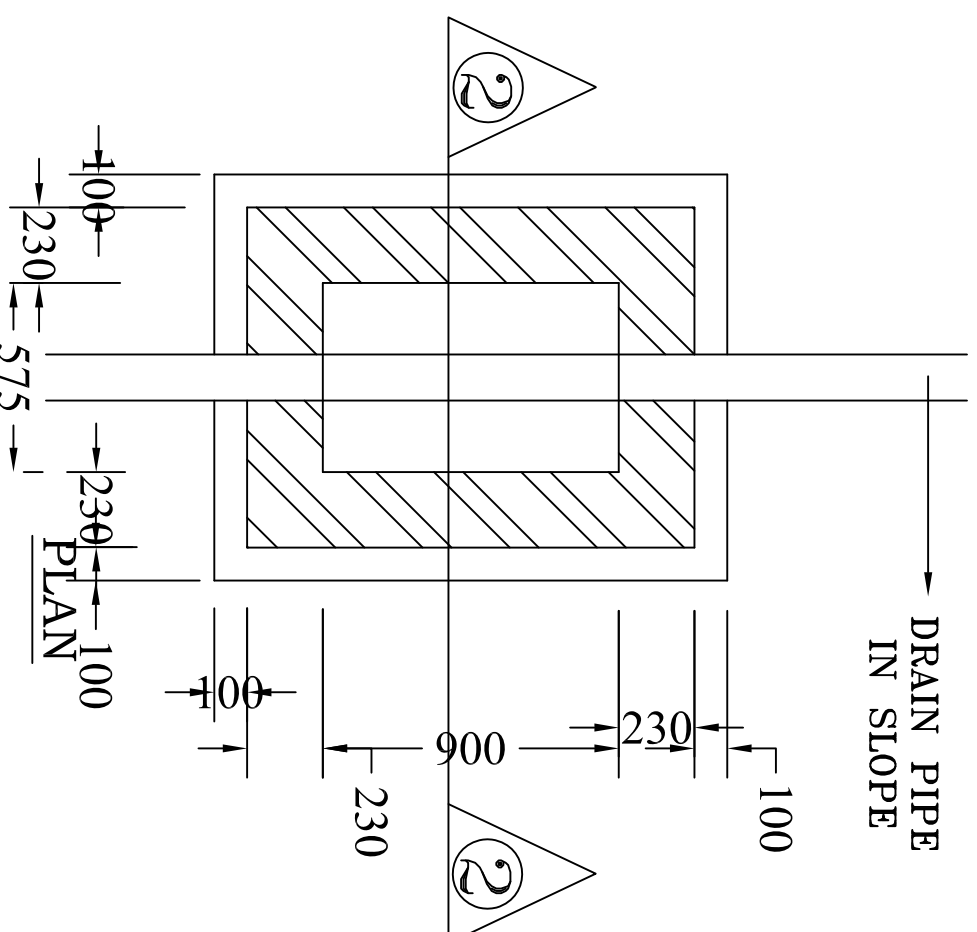
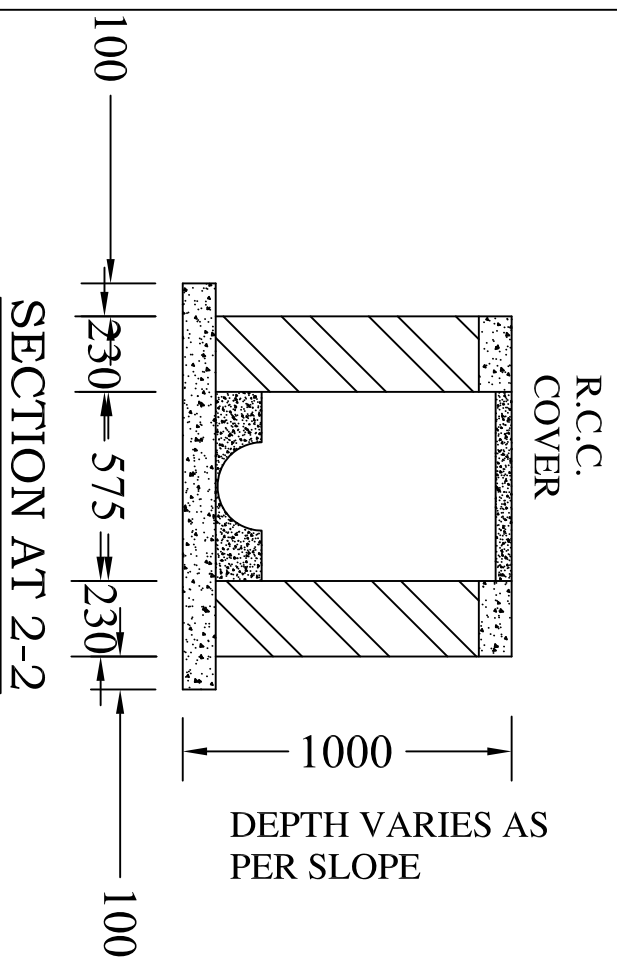


**DETAIL OF FOUNDATION**



**I.C. DETAILS**

**STRUCTURE DETAIL**