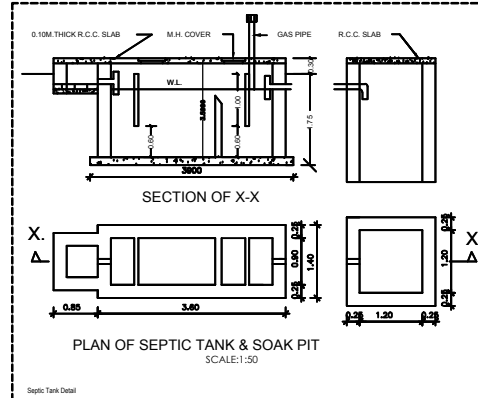
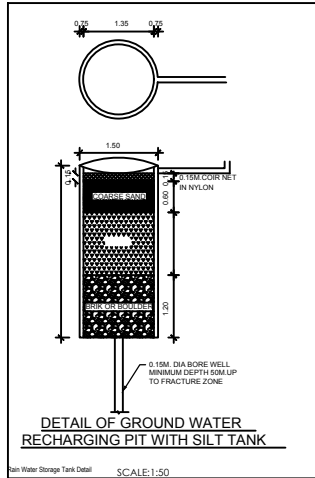


STRUCTURE PLAN

**Proposed Building Plan of
Sri. Roshan Kumar
New Plot No.348 a portion
Khata No .12
Old Ward No.5 New Ward No.18
At Mohalla :Tungri
Municipal Chaibasa
Dist : Singhbhum (w)
Jharkhand**

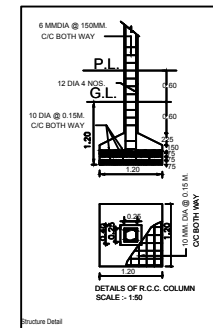
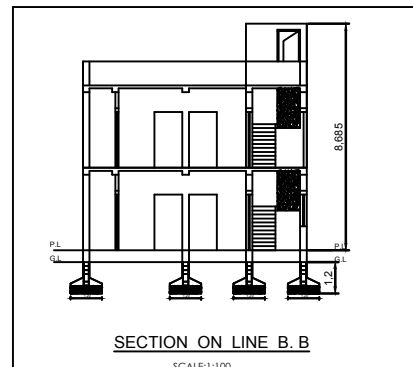
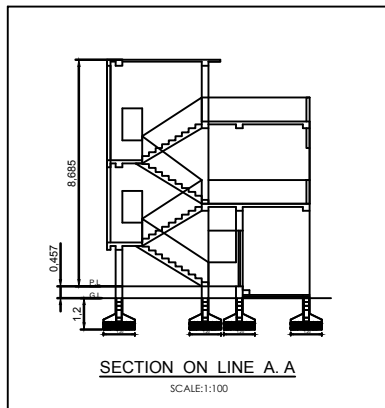


SPECIFICATION		
SL.NO	NAME	DETAILS
(1)	FOUNDATION	R.C.C COLUMN FOOTING/RAFT AS PER DESIGN
(2)	SUPER STRUCTURE	FIRST CLASS B/W IN C:M(1:6) FOR 225mm & C:M(1:4) FOR 112.5MM
(3)	FLOORING	10.025 TIT L.P.'S FLOORING OVER 0.015mt DRY REAMED KHOA OVER 0.075mt B/B SOLING OVER LOCAL SAND FILLING.
(4)	LINTEL	150mm R.C.C LINTEL PROVIDED OVER DOOR & WINDOWS.
(5)	ROOF	R.C.C ROOF SLAB WITH REQUIRED THICKNESS AS PER STRUCTURAL DESIGN.
(6)	TERRACE	PROVIDE 254mm MUD FUSCA TREATMENT WITH BRICK ON EDGE. SOLING OVER LOCAL SAND FILLING FINISHED WITH P.C.C OVER R.C.C TERRACE ROOF FOR HEAT INSULATION & WATER PROOFING.
(7)	PLASTER	INNER & OUTER WALL PLASTERED IN C:M(1:6) & (1:4) & TWO COATS OF WHITE WASH OUT SIDE ONLY.

F.A.R. AND COVERED AREA CALCULATION (Area in Sq.M.)

S.No.	Floor	Plinth Area within set back	Projection				Total Covered Area (1+4+5+6)	Deduction					Total (8-9+10+11+12)	Net Covered for FAR calculation Area (7-13)	Remarks
			Balcony	C.B	Projection beyond permissible limit.	Lift Well		Fire Stairs	Ducts	Void	Others if permissible (PROPOSED)				
1	2	3	4	5	6	7	8	9	10	11	12	13	14	15	
1	G+0	64.14	--	--	--	64.14	--	--	--	--	--	--	64.14		
2	G+1	64.87	--	--	--	64.87	--	--	--	--	--	--	64.87		
Total		129.01	--	--	--	129.01	--	--	--	--	--	--	129.01		

AREA STATEMENT	
TOTAL PLOT AREA AS PER DEED =	122.93 M ² (3. Dec)
TOTAL PLOT AREA AS PER EXISTING =	122.93 M ²
1 TOTAL PLINTH AREA =	64.14 M ² (690 sqft)
COVERAGE / FLOOR =	$\frac{64.14 \times 100}{122.93} = 52.1\% > 60\%$
2 TOTAL COVERED AREA =	129.01 M ² (1387.8 sqft)
F.A.R. ACHIEVED	$\frac{129.01}{122.93} = 1.04 < 2.5$



SCHEDULE OF DOOR & WINDOW		
TYPE	WIDTH	HEIGHT
D	1.37	2.1
D1	1.22	2.1
B2	1.07	2.1
B3	0.76	2.1
W	1.08	2.1
V	0.61	2.1

SHEET NO. 2

SWASTIK CONSULTANT
Authorised Civil Eng.
Jayant Kumar Dey
Regd.No. :CNP / ENG / 0002 / 2017

DRG. NO. :-RS/SWTK/CBSA/201

DATE: 15.02.2018

DRAWN BY: _____

CHECKED BY: _____

