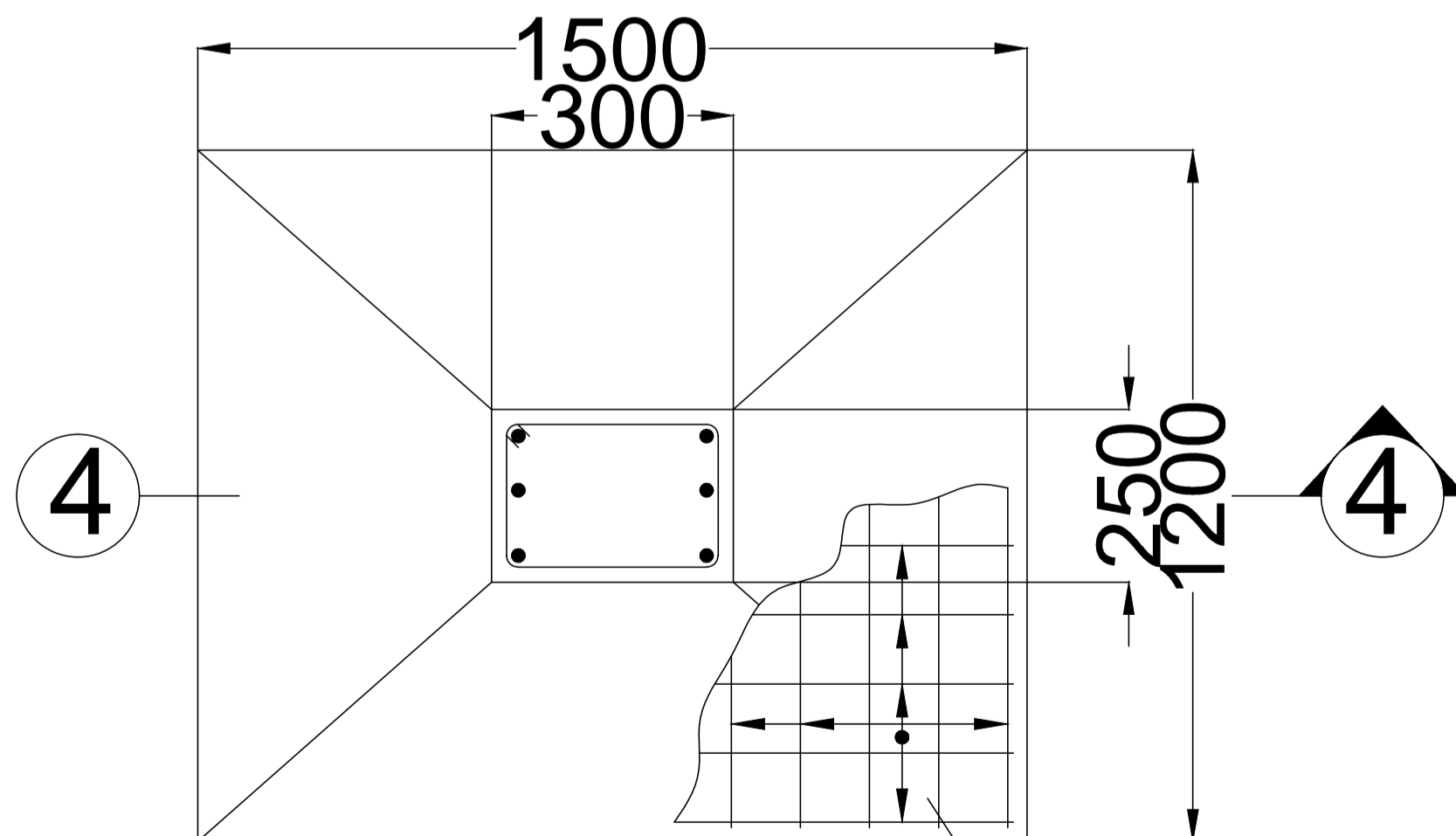


150mm. THK. P.C.C. (1:3:6)  
 75mm. THK. F.B. SOLLING  
 75mm. THK. SAND FILLING

## SECTION 4-4



steel as per  
 str. design

## FOUNDATION PLAN

Structure Detail