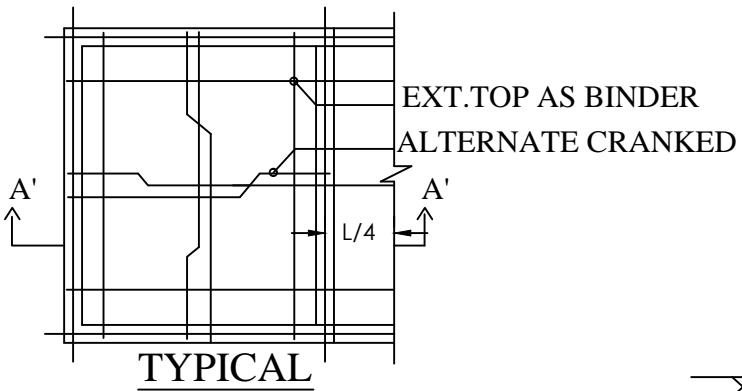
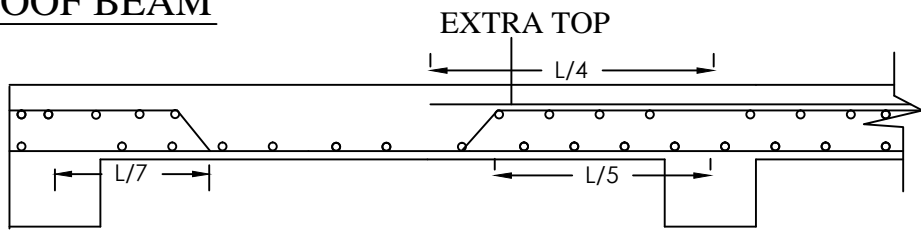


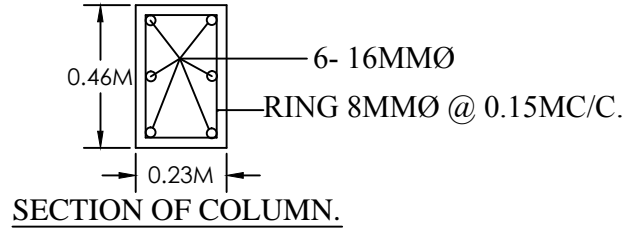
SECTION OF TYPICAL ROOF BEAM



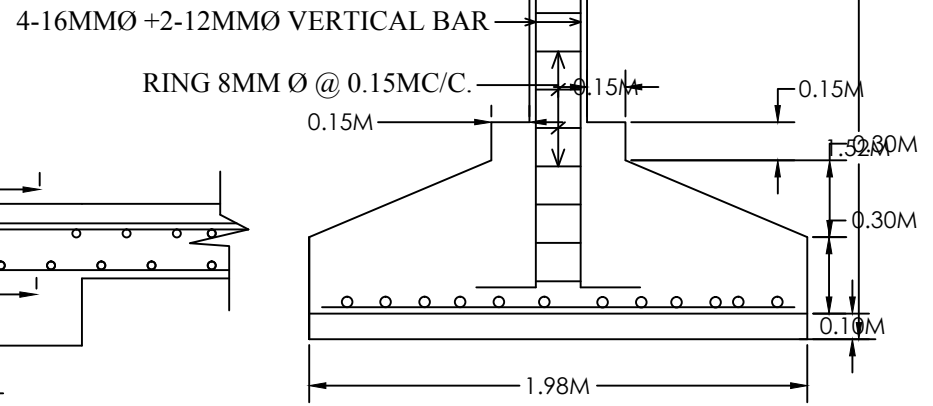
TYPICAL



SECTION OF SLAB AT A-A'



SECTION OF COLUMN.



SECTION OF FOOTING