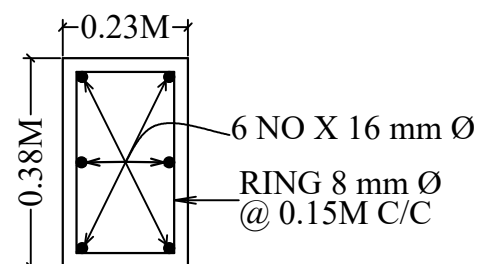
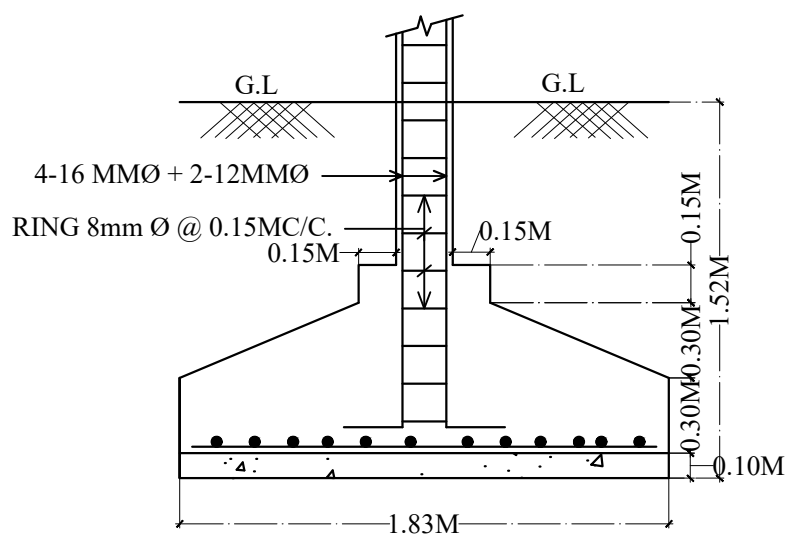


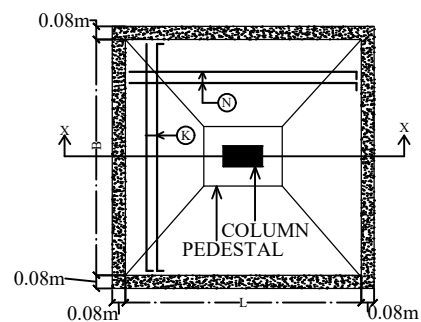
SECTION OF TYPICAL ROOF BEAM



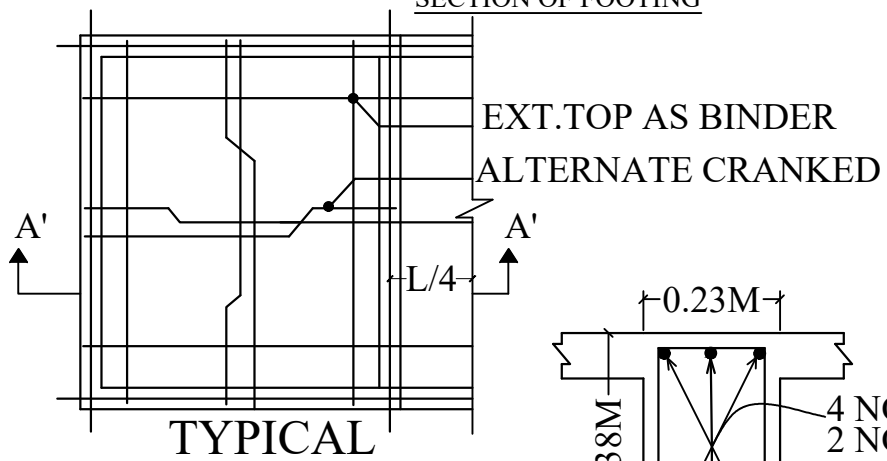
C.S. OF COLUMN .
SIZE - 0.23M X 0.38M



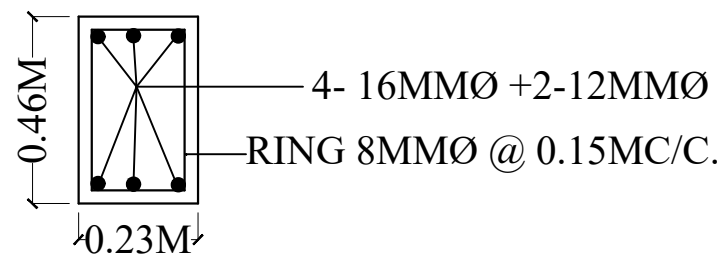
SECTION OF FOOTING



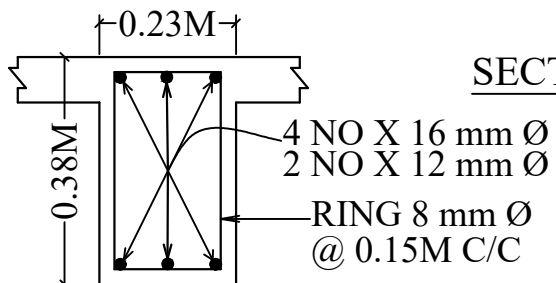
PLAN OF ISOLATED FOOTING



TYPICAL



SECTION OF COLUMN.



C.S. OF ROOF BEAM
SIZE - 0.23M X 0.38M