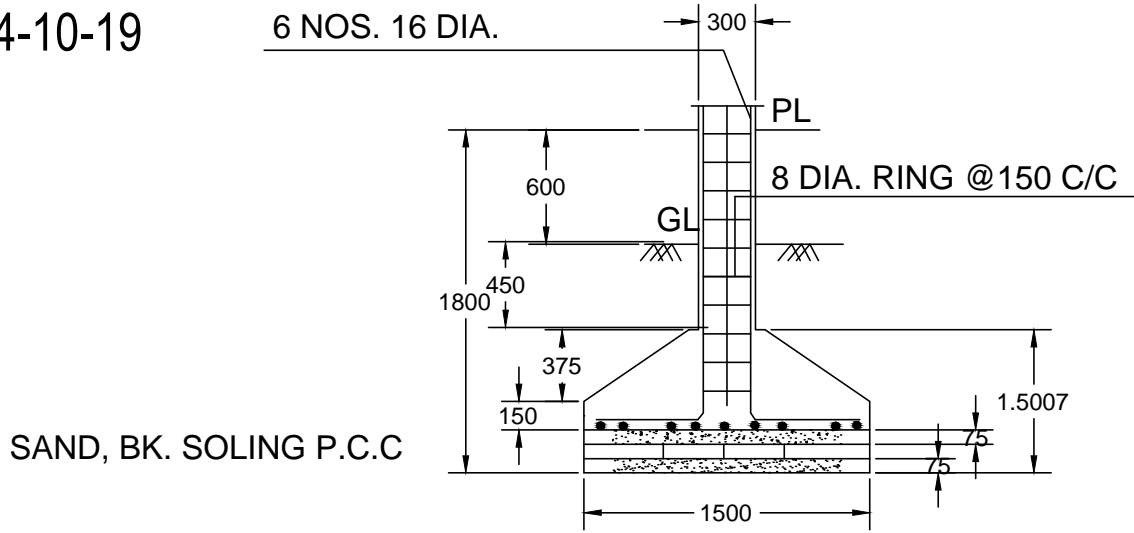


REF NO-72 24-10-19

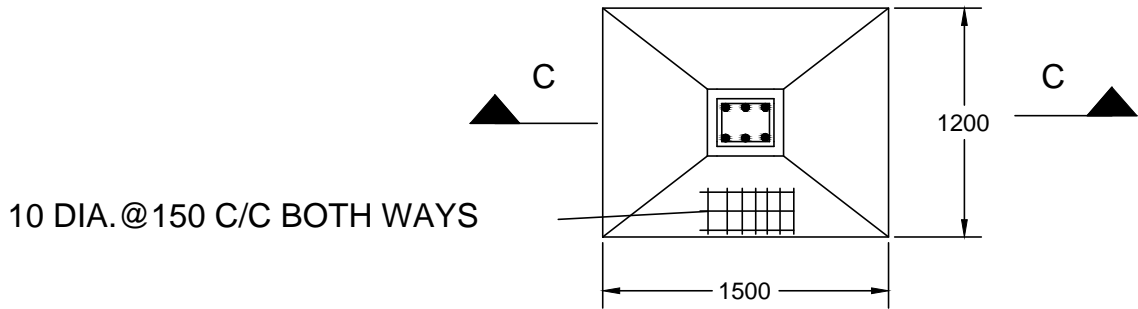
6 NOS. 16 DIA.



SAND, BK. SOLING P.C.C

### SECTION ON C-C

SCALE - 1 : 50



10 DIA. @ 150 C/C BOTH WAYS

### DETAIL OF R.C.C. COLUMN

SCALE - 1 : 50