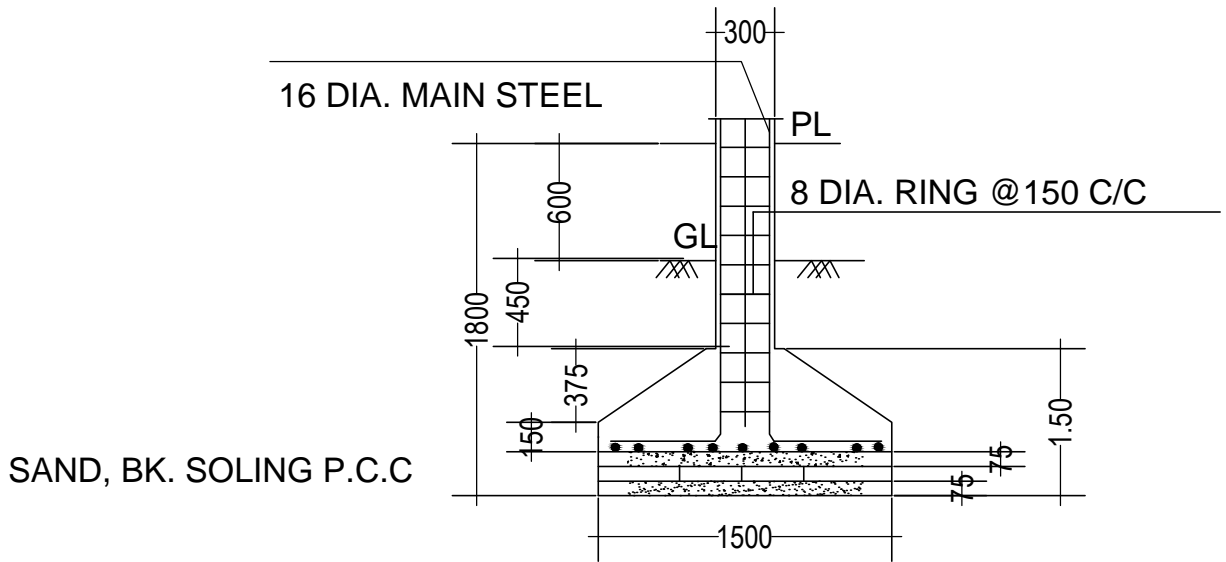


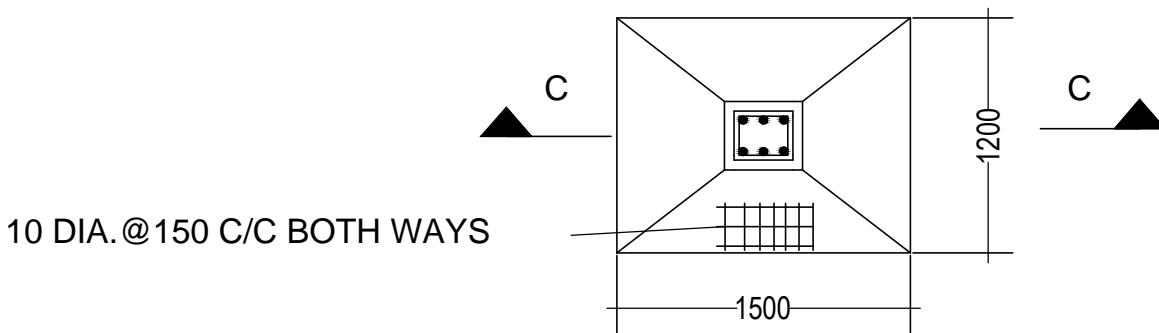
23-07-2020

0066



SECTION ON C-C

SCALE - 1 : 50



DETAIL OF R.C.C. COLUMN

STRUCTURAL DRAWING