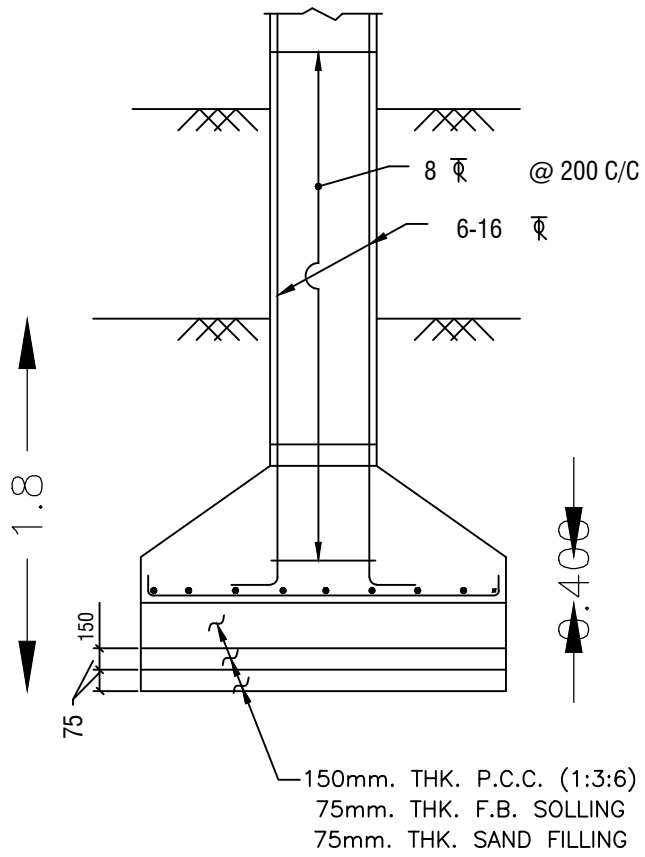
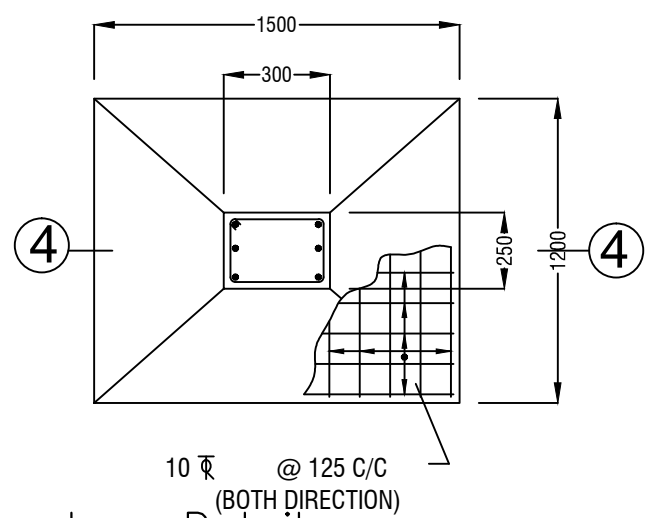


83 DT 21-8-2020



SECTION 4-4



Structure Detail
FOUNDATION PLAN
OF COLUMN