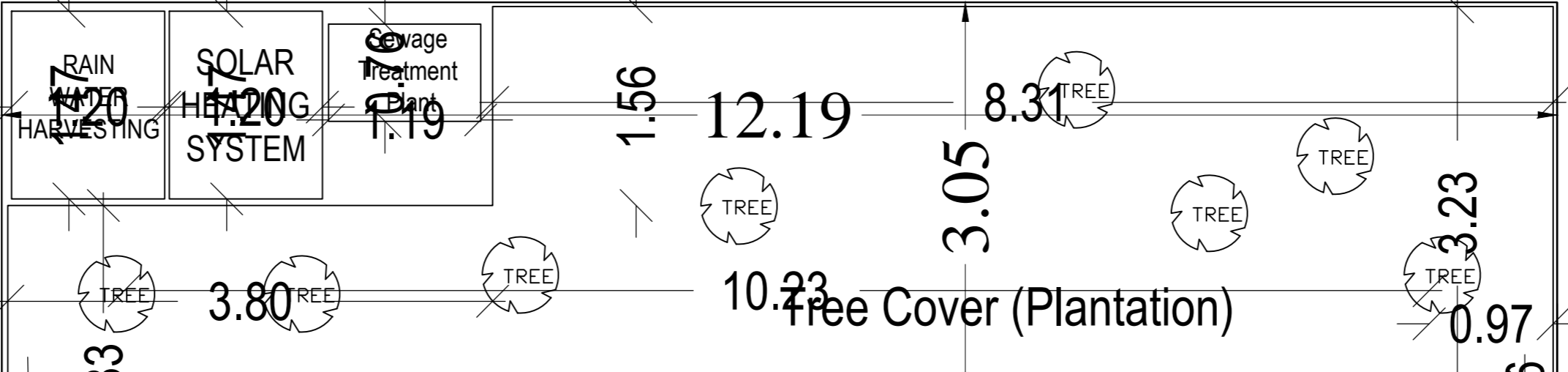


30.44

12.19



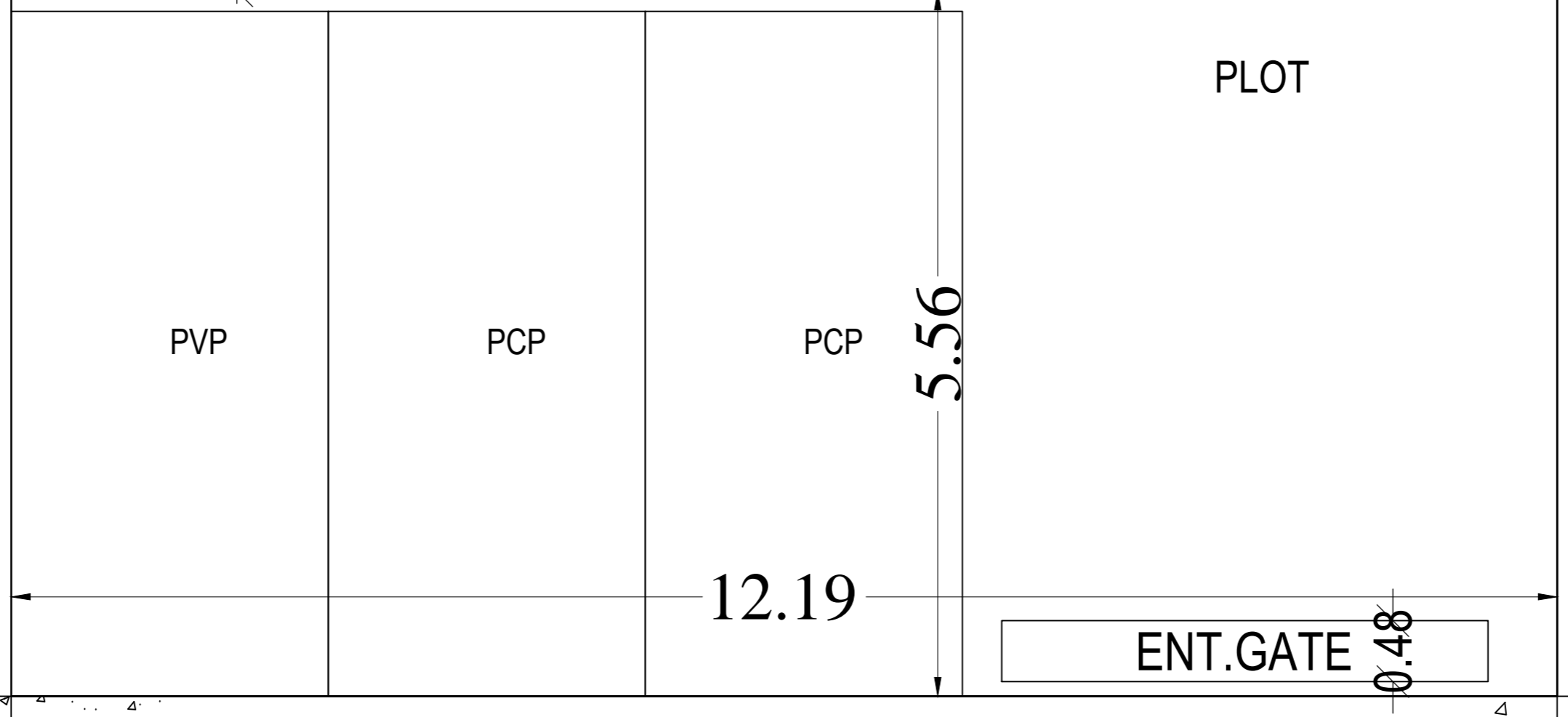
**PROPOSED  
CONSTRUCTION  
SITE**

A-1 (BINOD PRASAD AGARWAL AND RENU DEVI BHUWANIA)

30.44 mt.

1.03

1.03



PVP

PCP

PCP

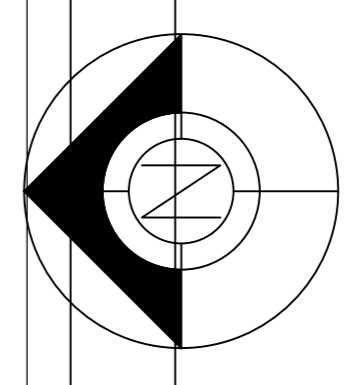
PLOT

12.19

ENT. GATE

0.48

4.26 MTR WIDE MAIN ROAD



SITE PLAN

SCALE 1: 100

SITE PLAN