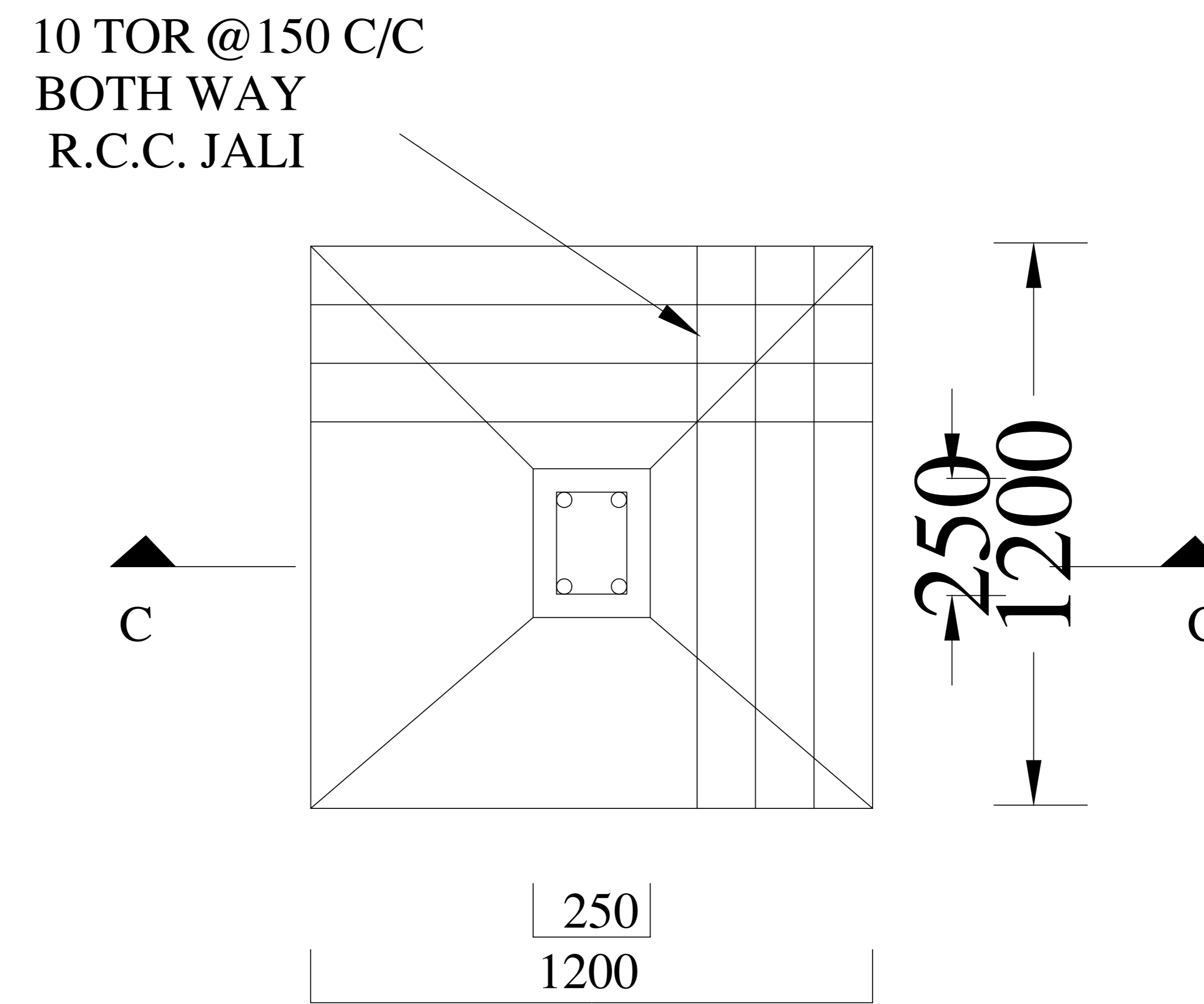
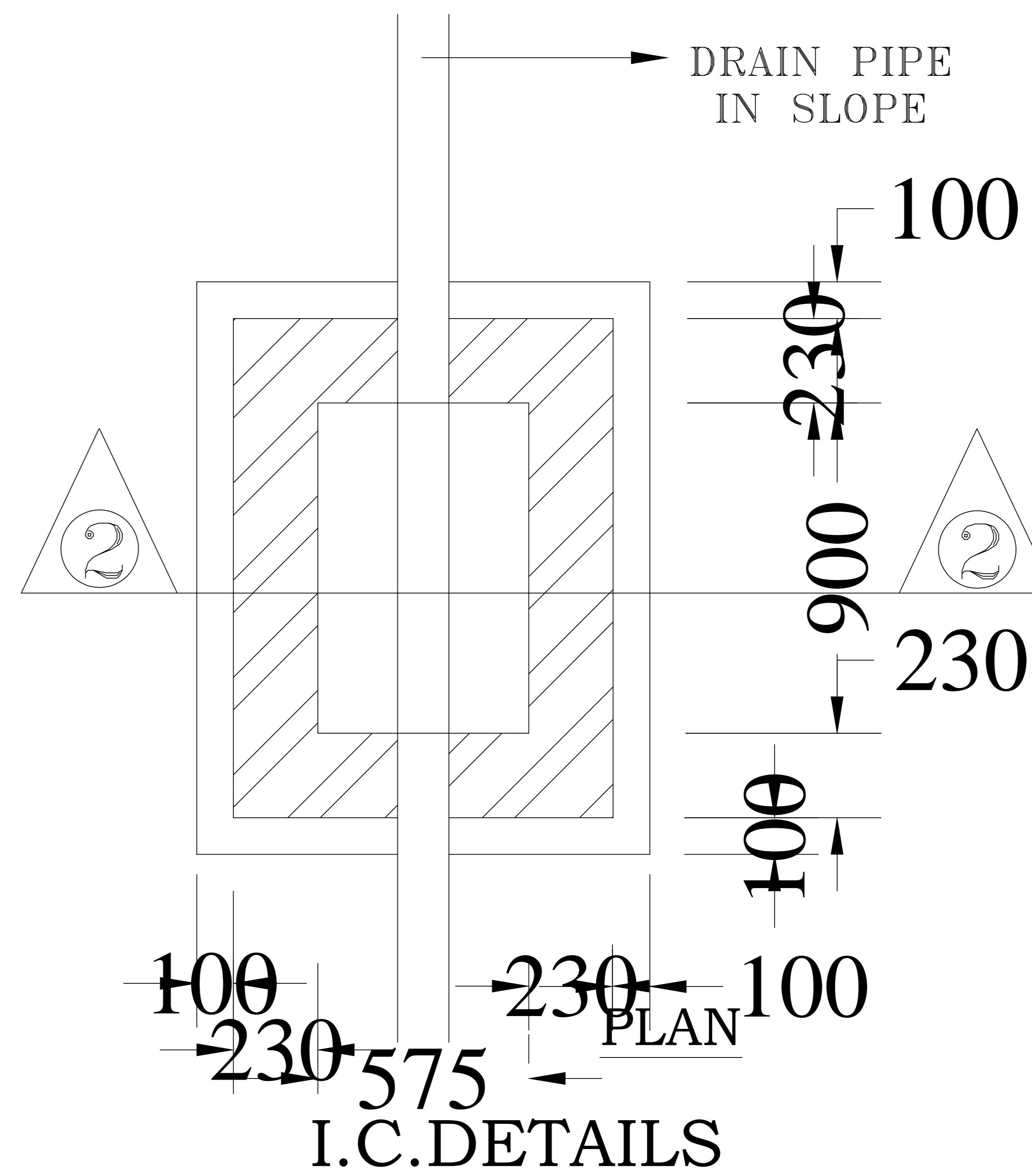
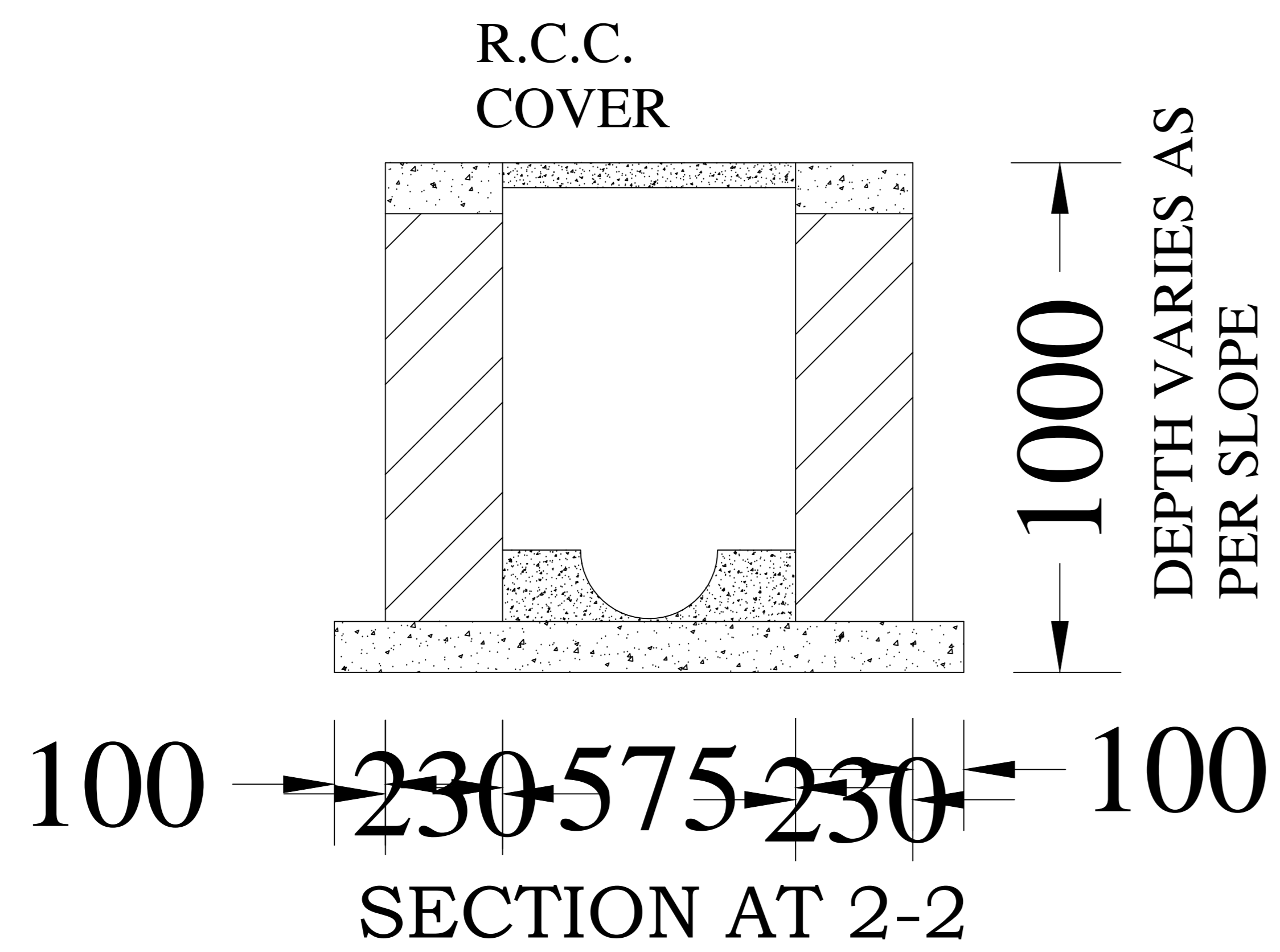


SECTION -CC



**PLAN
DETAIL OF FOUNDATION**



STRUCTURE DETAIL