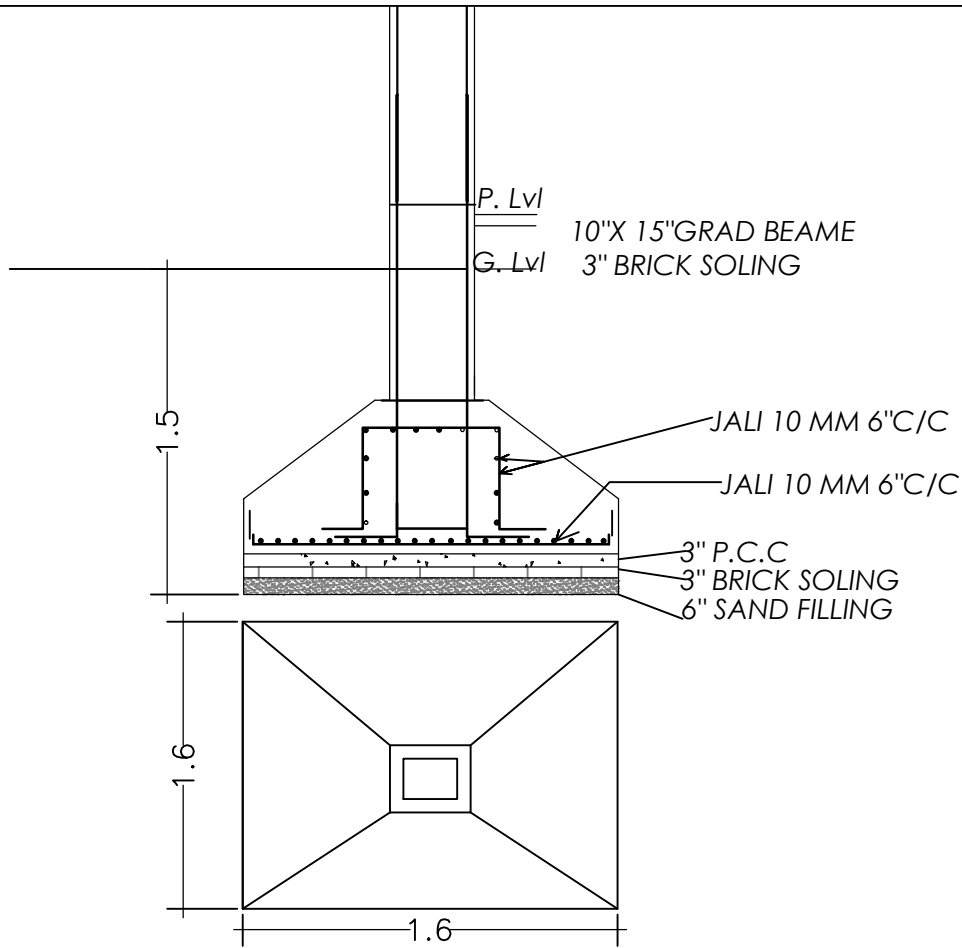
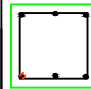
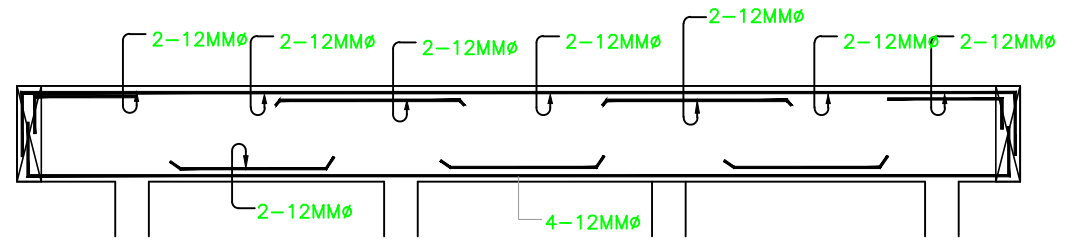


82 DT 2 NOV 2021



DETAIL OF COL & FOOTING
ISOLATED FOOTING

COLUMN SCHEDULE				
COLUMN MKD.	COLUMN SIZE	REINFORCEMENT DETAIL GROUND FLOOR	FOOTING	JALI
C1	10"x10"	 REIN: 6-12 MMØ STIRRUPS: 8MMØ @7" C/C	4'6"X4'6"	10MMØ@6"JALI



GRADE BEAM 10"X15"

STRUCTURAL DETAIL