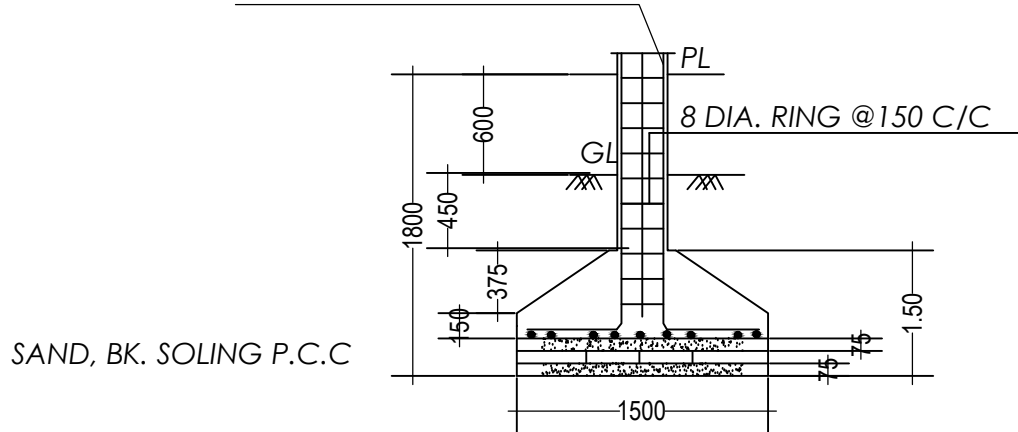


STR DRAWING

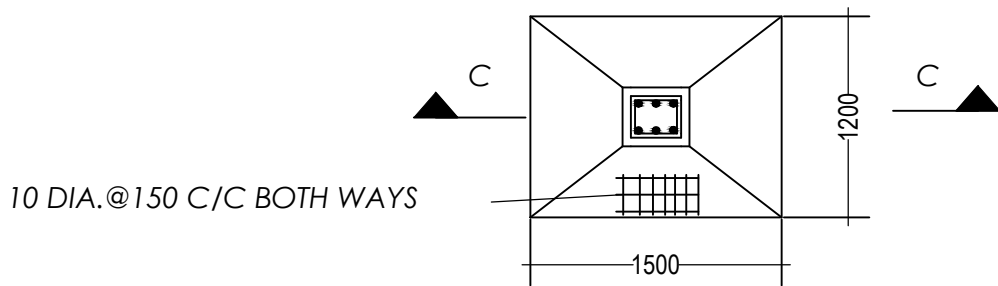
11 DT 6-12-22

6 NOS. 12 DIA.



SECTION ON C-C

SCALE - 1 : 50



DETAIL OF R.C.C. COLUMN

SCALE - 1 : 50