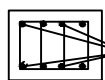
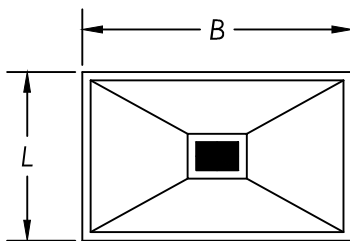
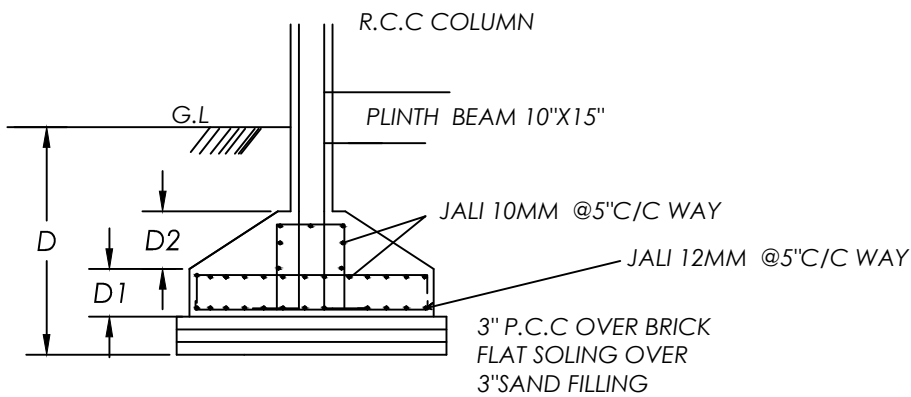


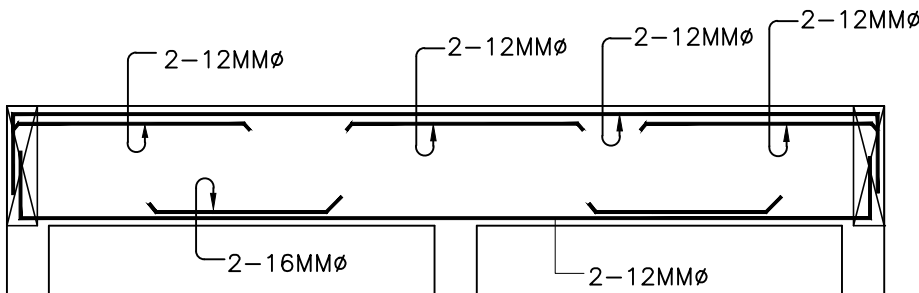
# 12 DT 14-5-22

## REINFORCEMENT DETAIL OF FOUNDATION AND COLUMN

COLUMN SCHEDULE								
COLUMN	FOOTING SIZE IN FT					ZALI	COLUMN SIZE	REINFORCEMENT DETAIL GROUND FLOOR
	L	B	D	D1	D2			
C	2.0	3.0	1.7	0.40	0.375	DOUBLE ZALI 12MM @ 150 C/C TOP AND BOTTOM	250X375	 REIN: 4-20+4-16MM STIRRUPS: 8MMØ @ 150 C/C



### DETAIL OF COL & FOOTING ISOLATED FOOTING



### DETAILS OF PLINTH BEAM (250X375)