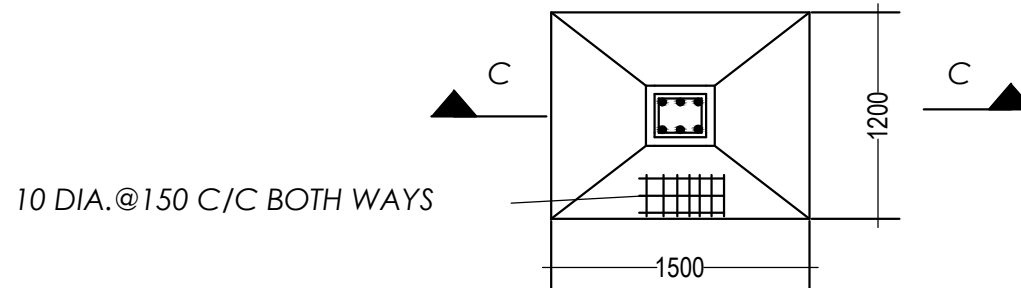
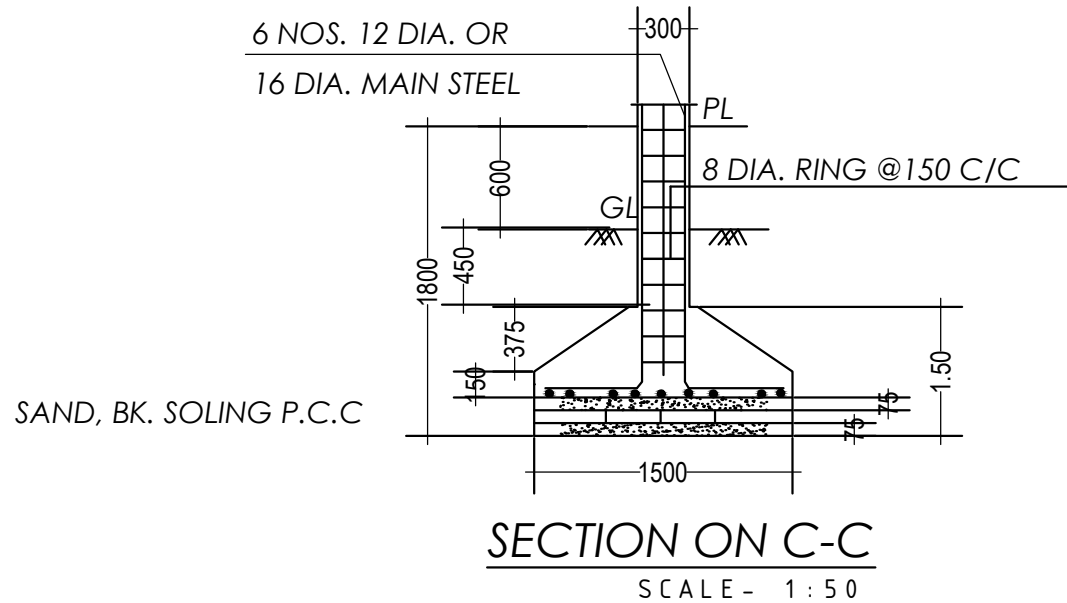


STRUCTURE DETAIL



DETAIL OF R.C.C. COLUMN

REF 86 DT 12-11-22