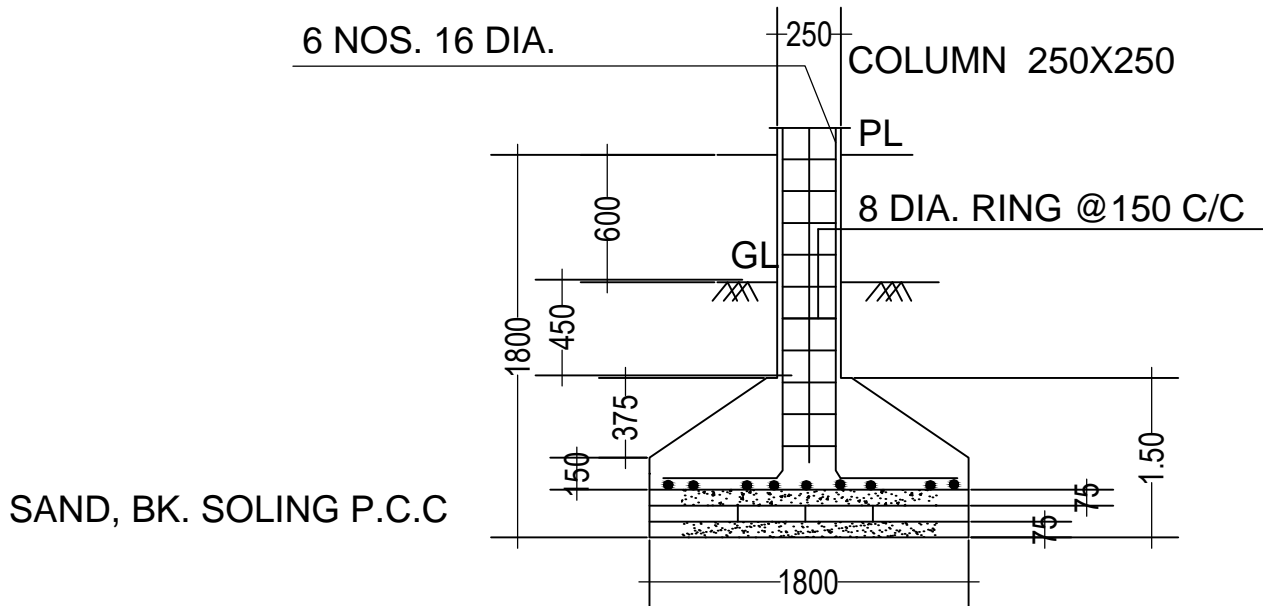
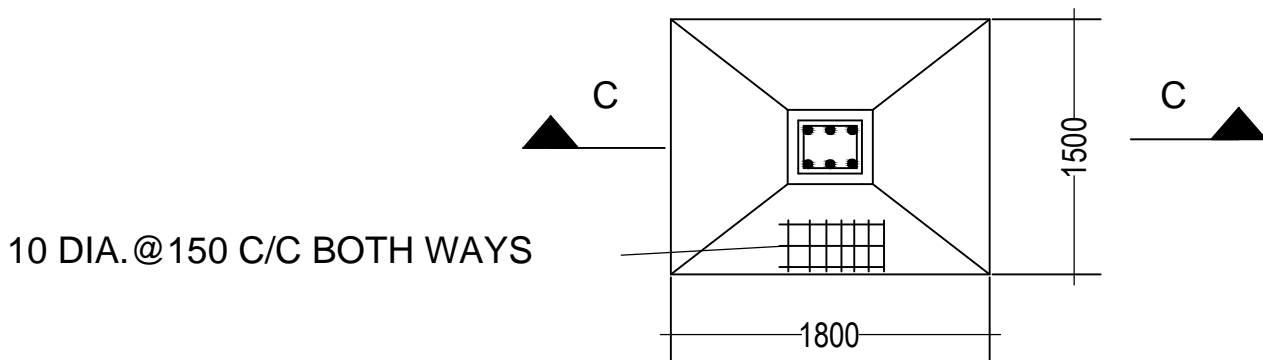


26 DT 20-1-23



SECTION ON C-C

SCALE - 1 : 50



DETAIL OF R.C.C. COLUMN

SCALE - 1 : 50