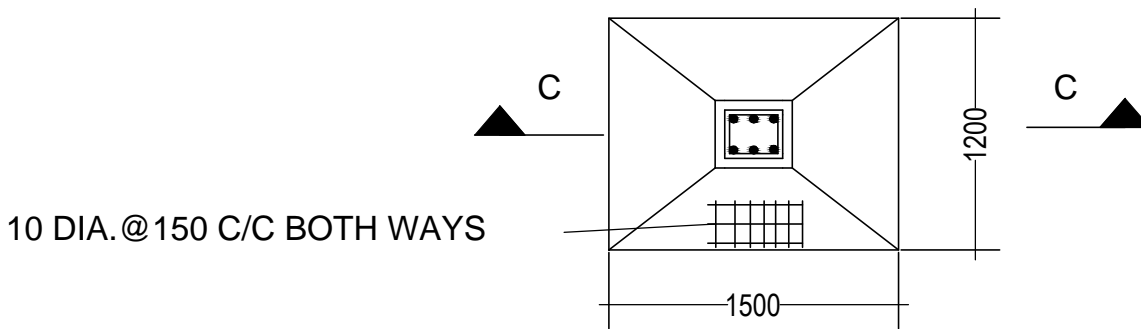


### SECTION ON C-C

SCALE - 1 : 50



### DETAIL OF R.C.C. COLUMN

SCALE - 1 : 50

12 DT 10-2-24