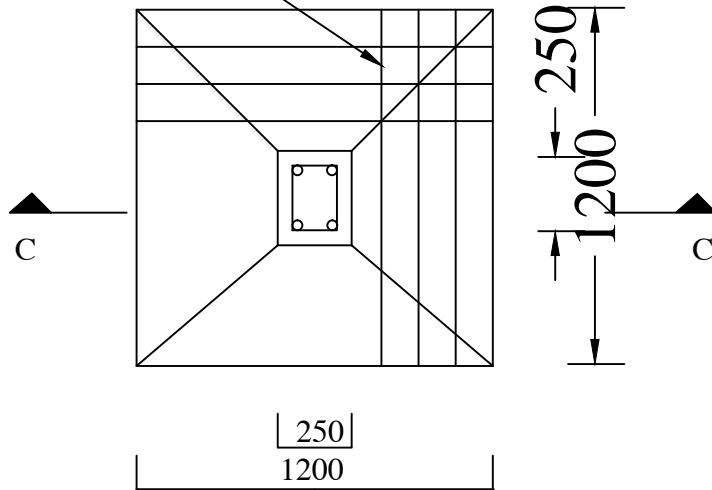
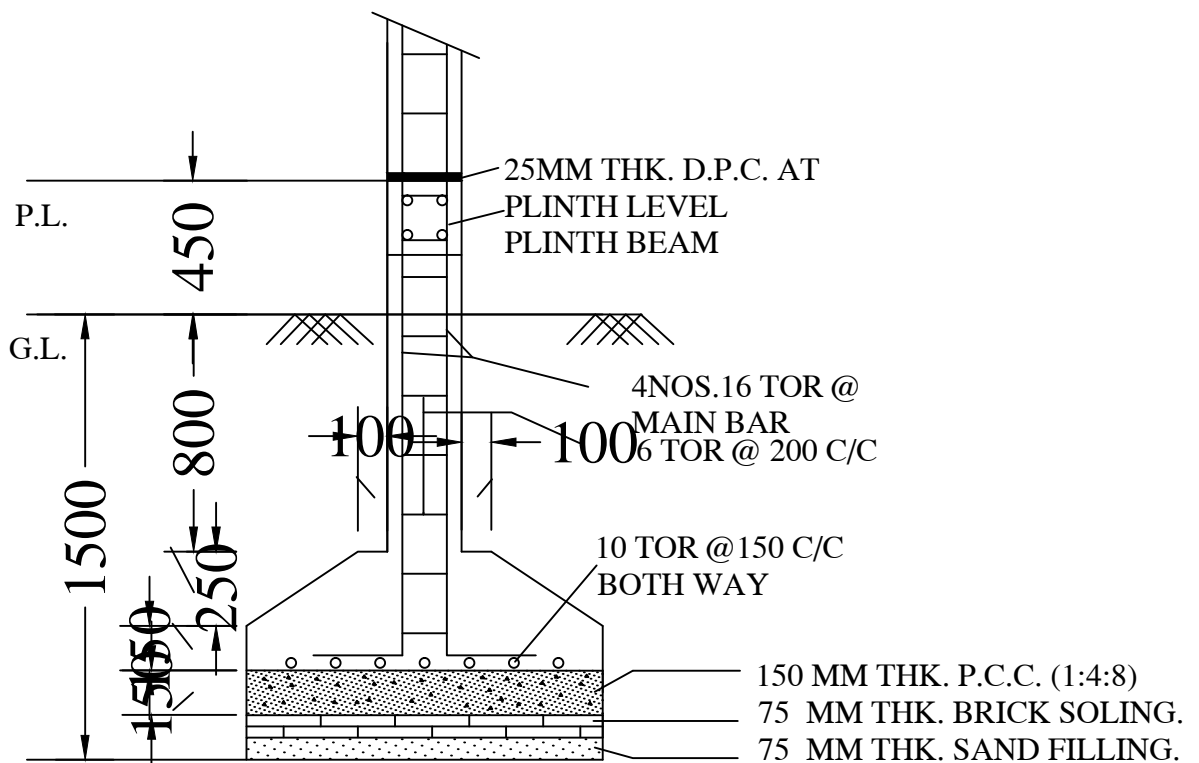


10 TOR @ 150 C/C  
BOTH WAY  
R.C.C. JALI



PLAN

**DETAIL OF FOUNDATION**



Structure Detail

**SECTION -CC**