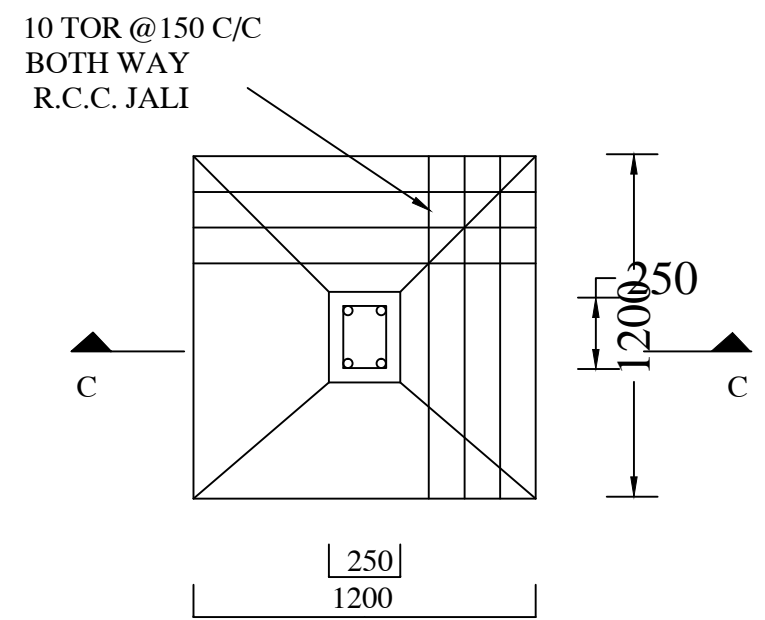


SECTION -CC



PLAN
DETAIL OF FOUNDATION