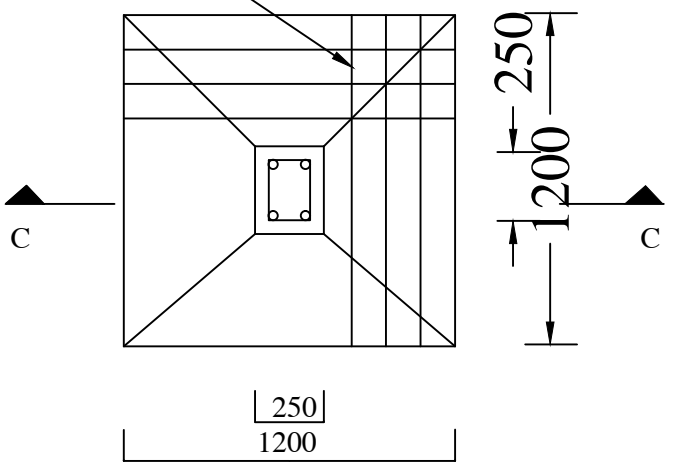
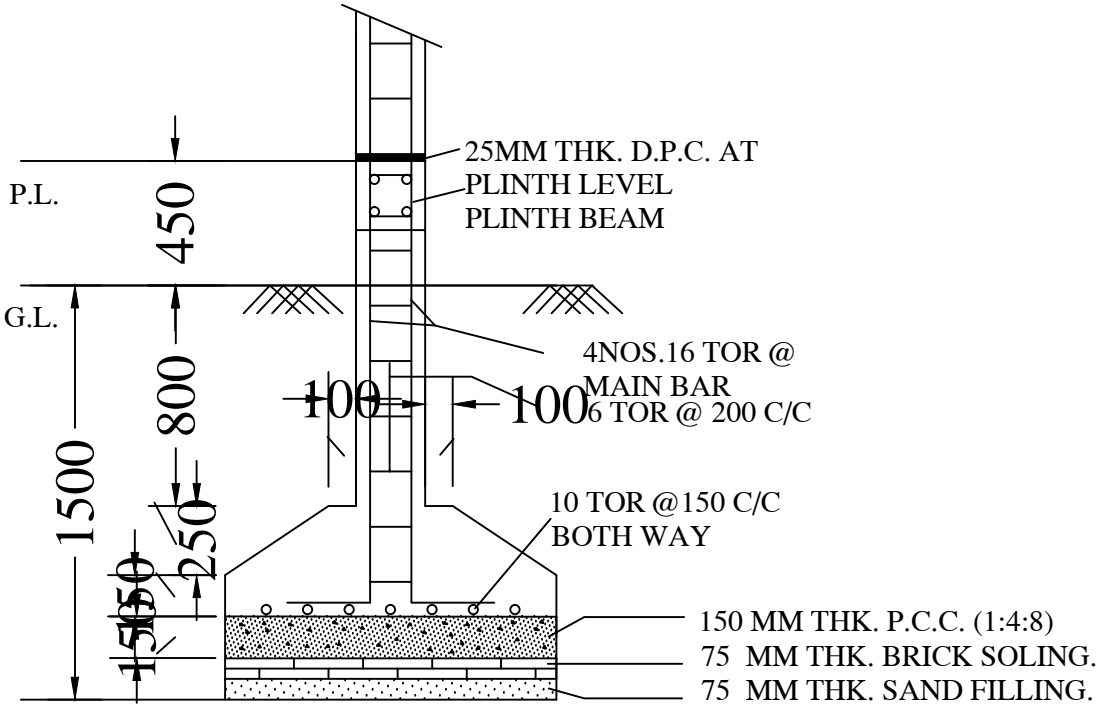


SCALE 1:100

10 TOR @150 C/C
BOTH WAY
R.C.C. JALI



PLAN
DETAIL OF FOUNDATION



SECTION -CC