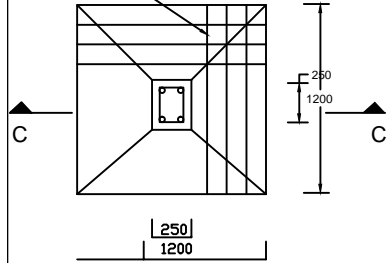
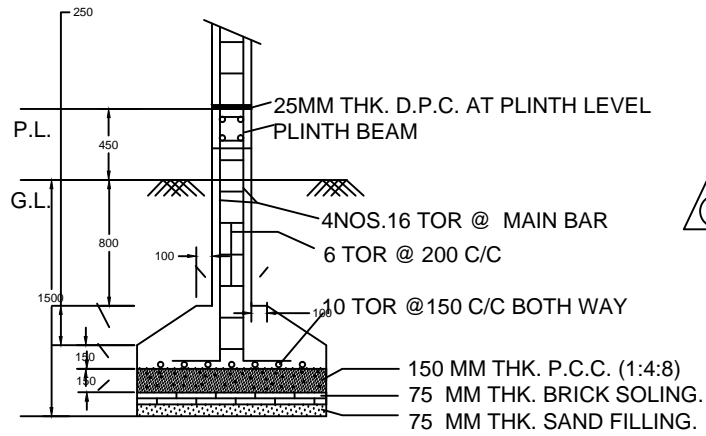


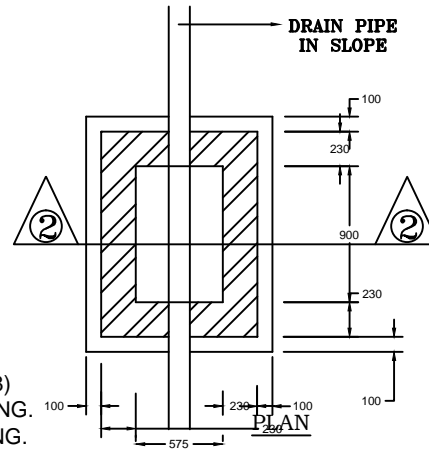
10 TOR @ 150 C/C BOTH WAY  
R.C.C. JALI



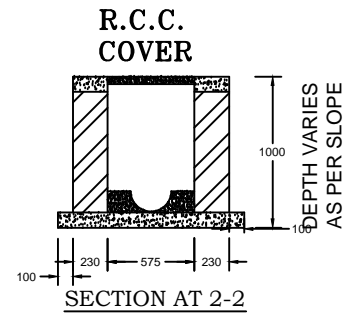
PLAN  
DETAIL OF FOUNDATION



SECTION -CC



I.C. DETAILS



SECTION AT 2-2