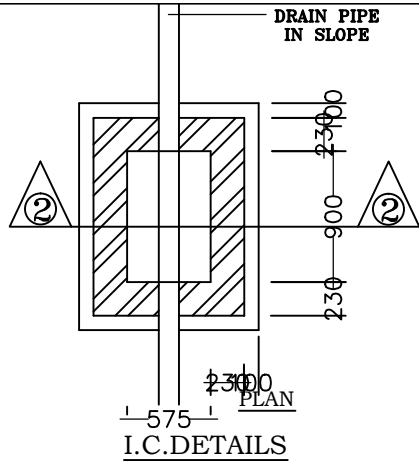
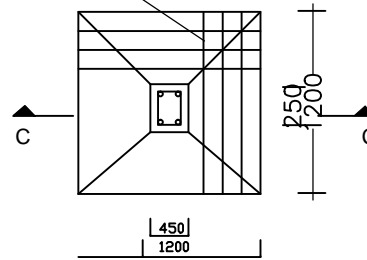




SECTION AT 2-2



10 TOR @ 150 C/C BOTH WAY
R.C.C. JALI



DETAIL OF FOUNDATION

