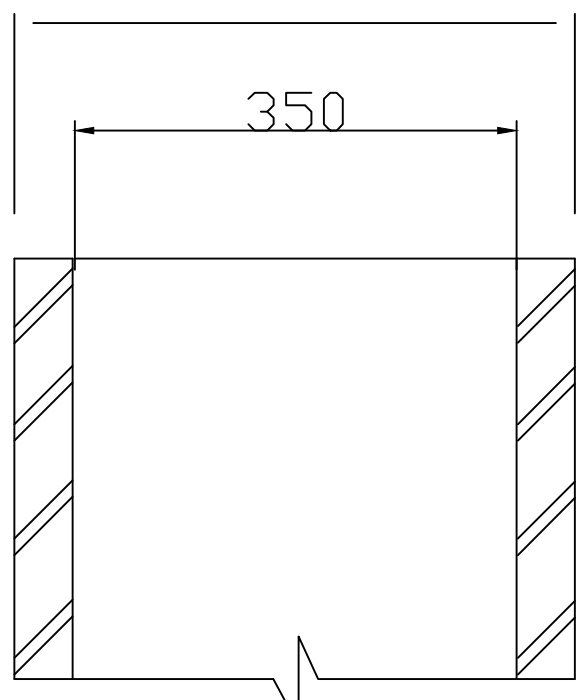
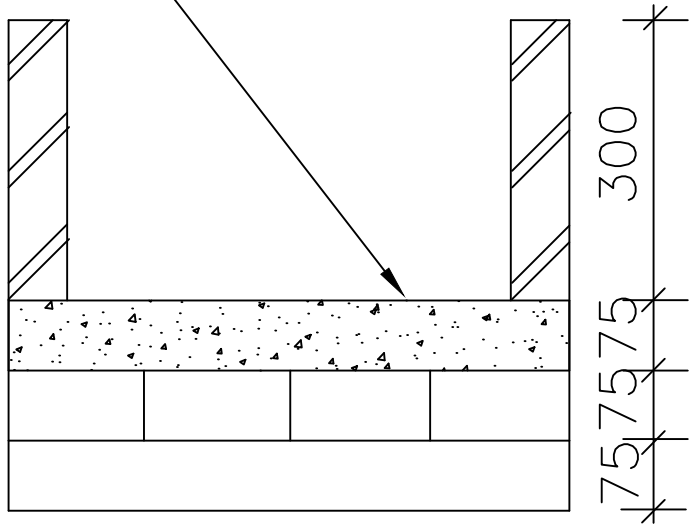


SECTION ELEVATION

I.P.S FLOORING



Structure Detail