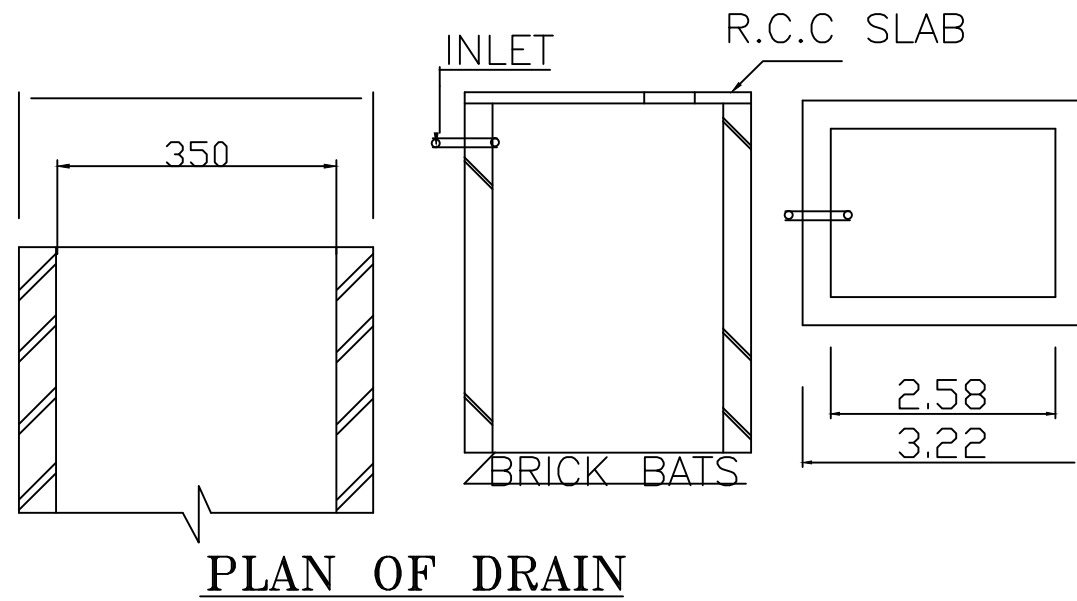
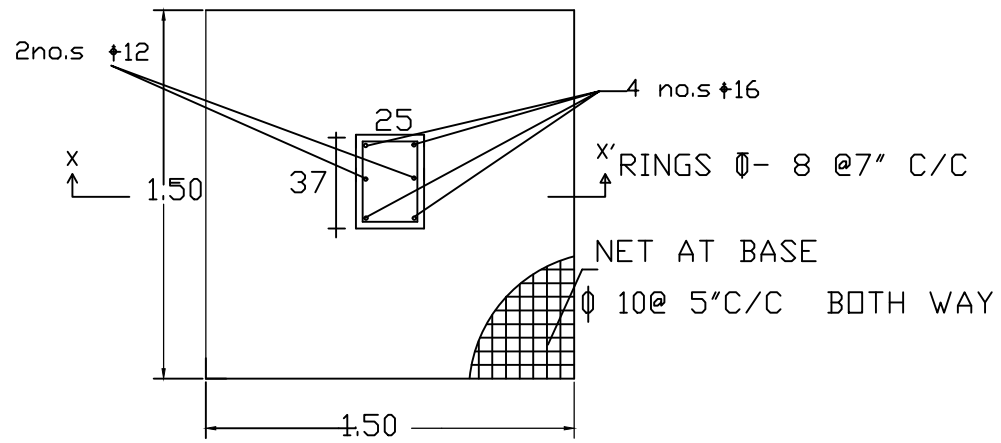


TYP. SEC OF DRAIN

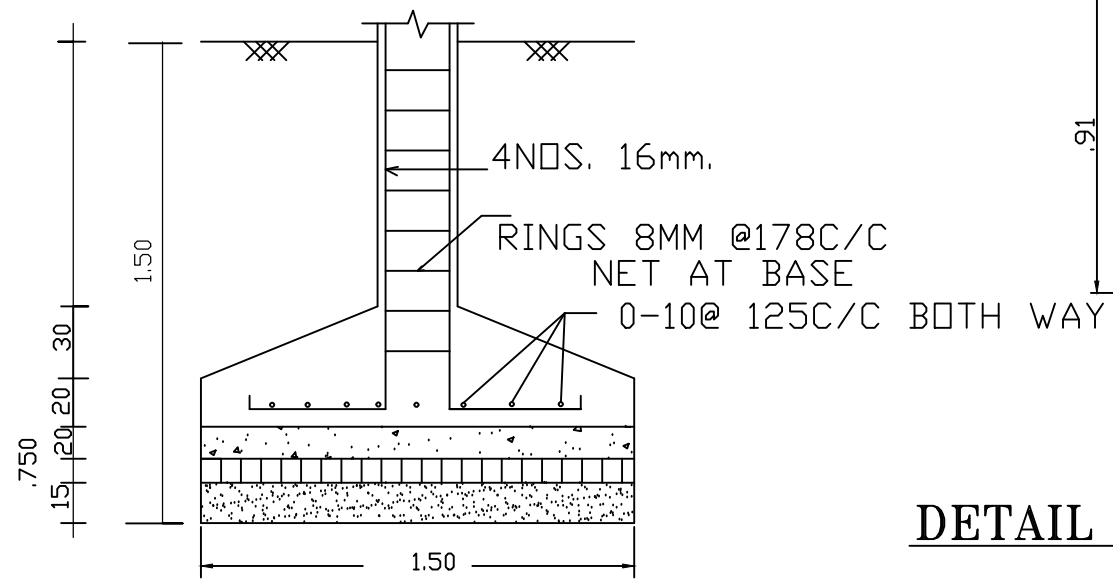


PLAN OF DRAIN

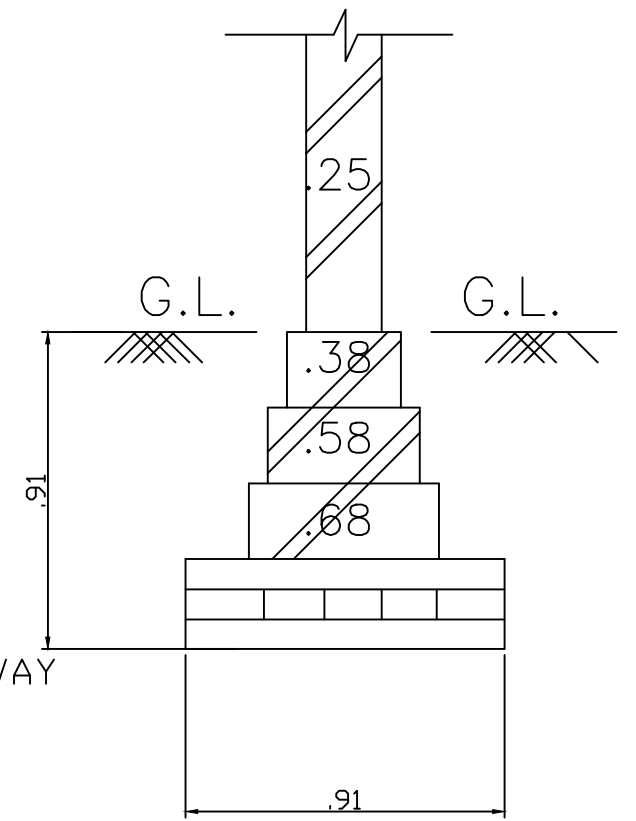


PLAN OF COLUMN

Structure Detail



SECTION ELEVATION



DETAIL OF WALL FOUNDATION

(SCALE 1:50)