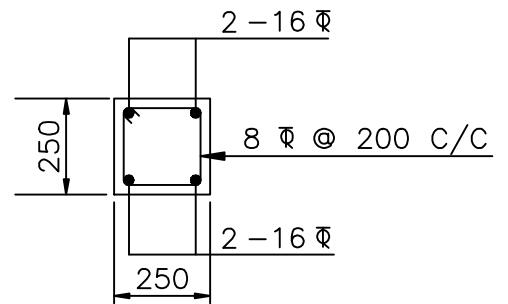


SECTION D-D

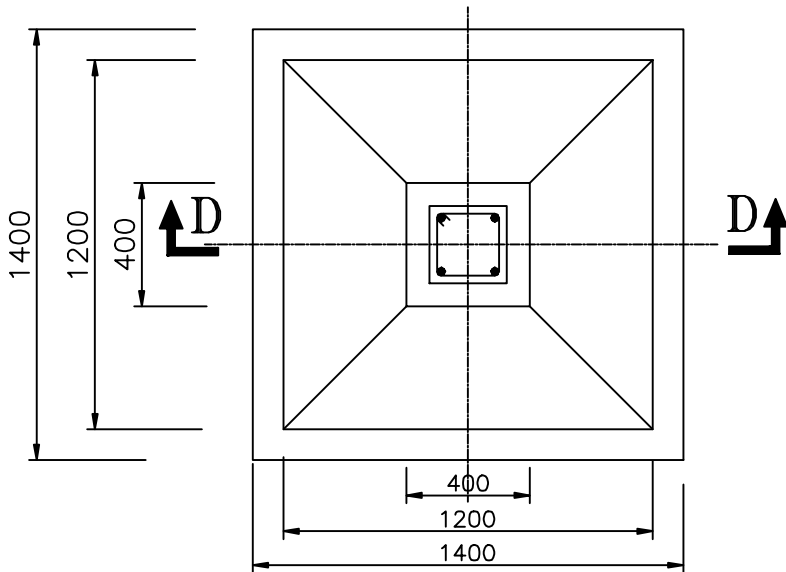
SCALE 1:25

P.C.C. CASTING.
SAND FILLING.



SECTION E-E

SCALE 1:25



DETAILS OF FOUNDATION

SCALE 1:25