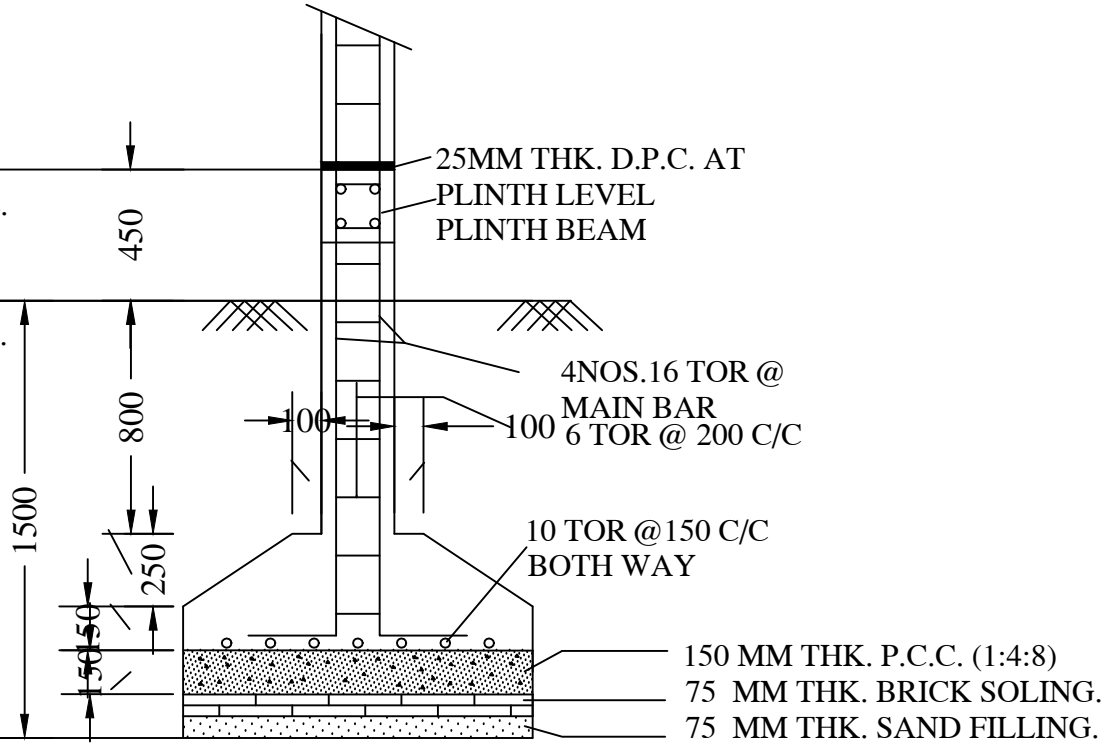
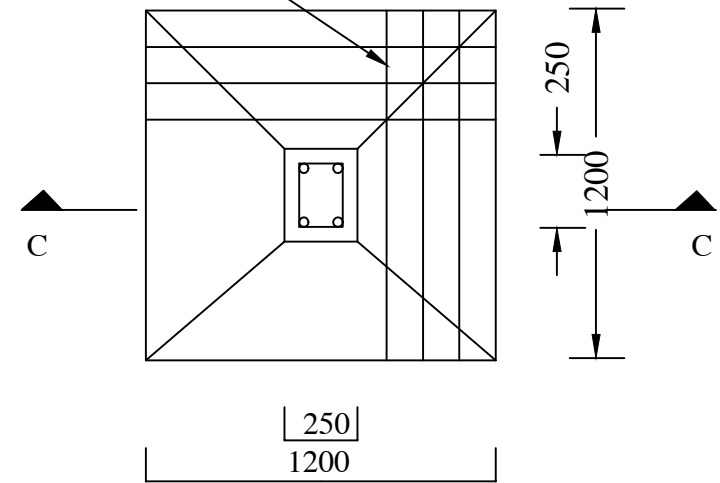


PRODUCED BY AN AUTODESK EDUCATIONAL PRODUCT



SECTION -CC

10 TOR @ 150 C/C
BOTH WAY
R.C.C. JALI



PLAN
DETAIL OF FOUNDATION

PRODUCED BY AN AUTODESK EDUCATIONAL PRODUCT