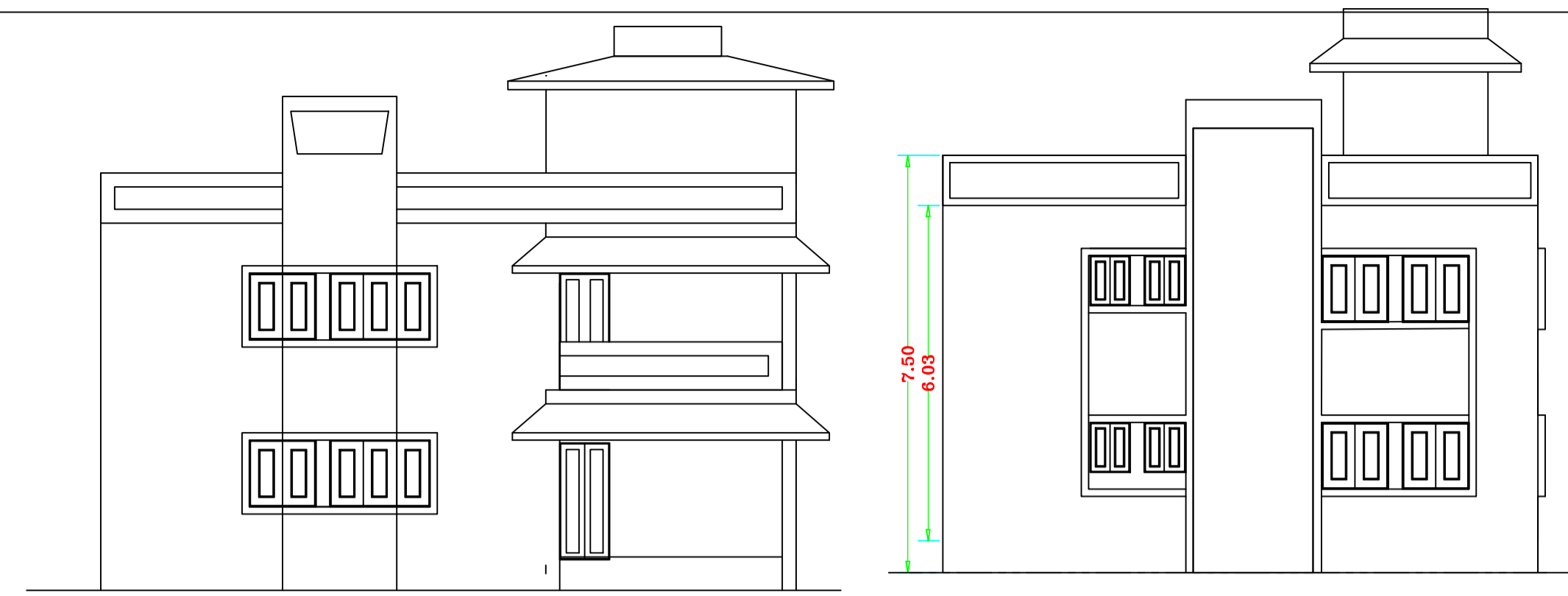


SECTION ON A-B

SECTION ON C-D



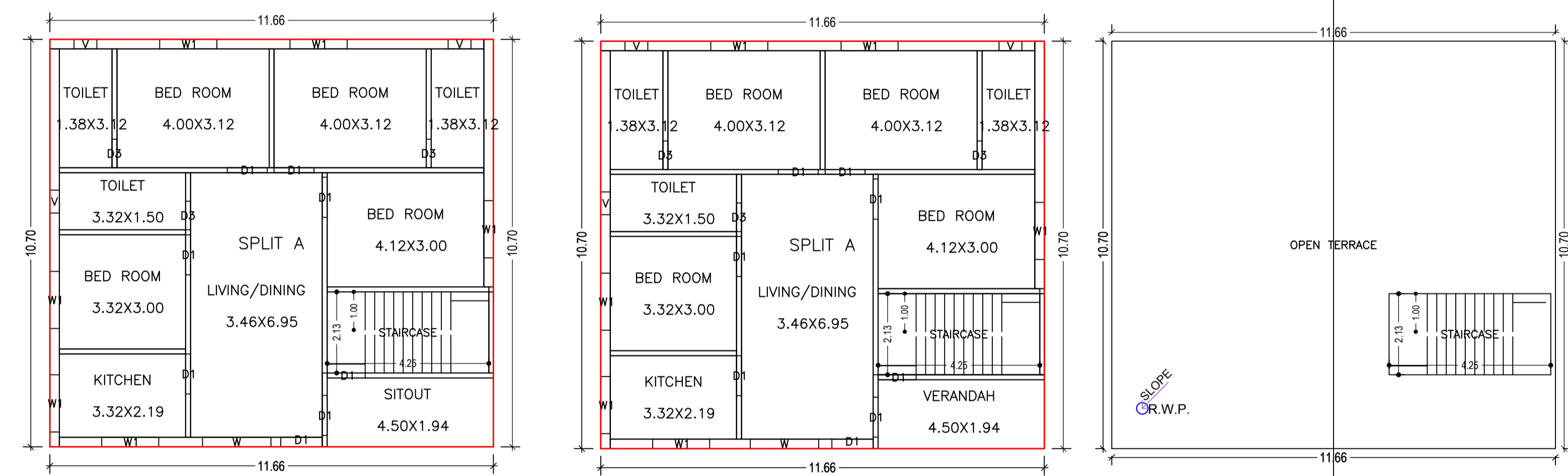
FRONT ELEVATION

LEFT SIDE ELEVATION

Proposal Basic Information	
Proposal File No.	GUNPC/ENG/00060/W01/2020
Owner Name	SUSHANTI DEVI
Khata No.	04
Plot No.	65
Village Name	Dundurva
Use	Residential
SubUse	Bungalow/ Dwelling / Non Apartment

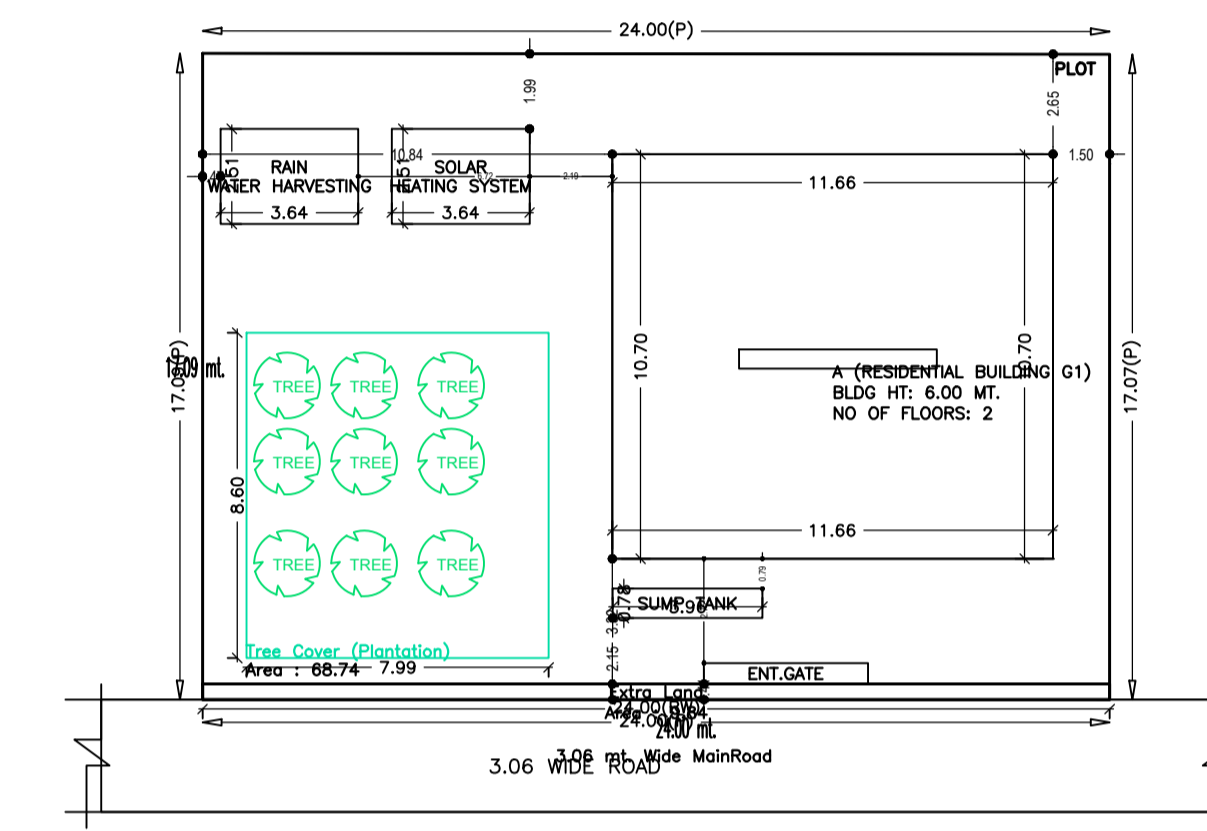
Building :A (RESIDENTIAL BUILDING G1)

Floor Name	Total Built Up Area (Sq.mt.)	Proposed FAR Area (Sq.mt.) Resi.	Total FAR Area (Sq.mt.)	Total Consumed Additional FAR Area (Sq.mt.)	Trmt (No.)
Ground Floor	124.76	124.76	124.76	124.76	01
First Floor	124.76	124.76	124.76	124.76	00
Terrace Floor	0.00	0.00	0.00	0.00	00
Total	249.52	249.52	249.52	249.52	01
Total Number of Same Buildings	1				
Total	249.52	249.52	249.52	249.52	01



FIRST FLOOR PLAN (Proposed) (SCALE 1:100)

GROUND FLOOR PLAN (Proposed) (SCALE 1:100)



SITE PLAN

FAR & Tenement Details (Table 4c-1)

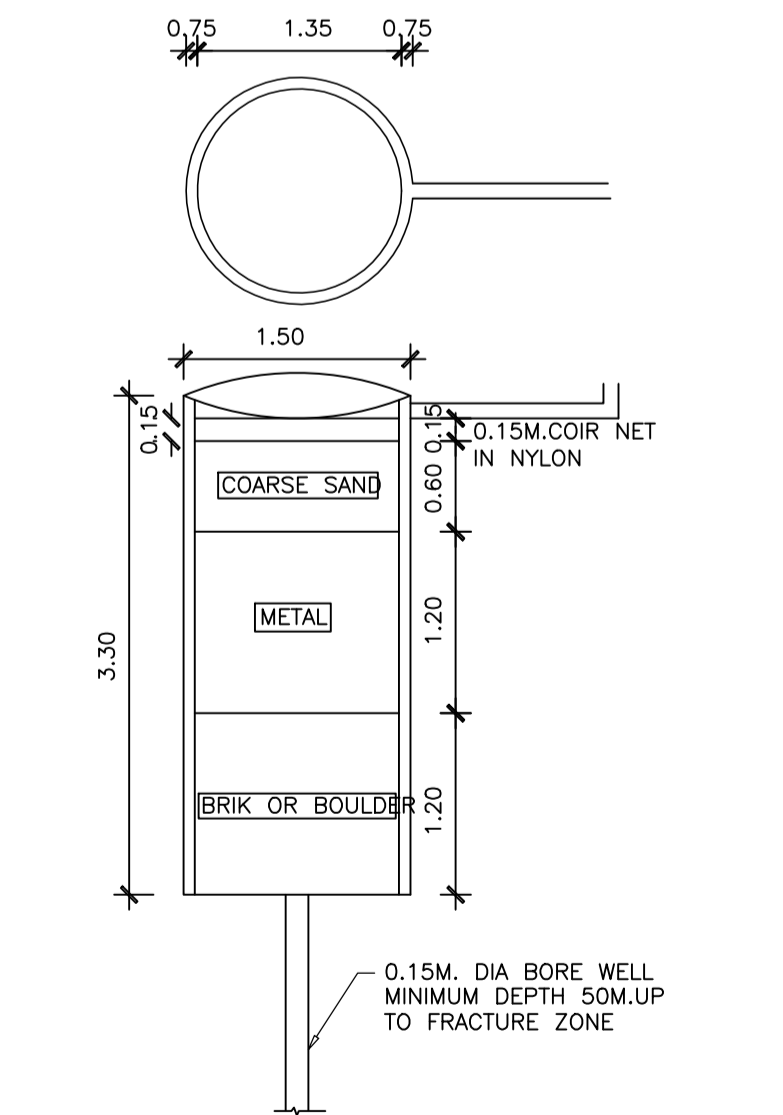
Building	No. of Same Bldg	Total Built Up Area (Sq.mt.)	Proposed FAR Area (Sq.mt.) Resi.	Total FAR Area (Sq.mt.)	Total Consumed Additional FAR Area (Sq.mt.)	Trmt (No.)
A (RESIDENTIAL BUILDING G1)	1	249.52	249.52	249.52	249.52	01
Grand Total :	1	249.52	249.52	249.52	249.52	01

SCHEDULE OF DOOR:

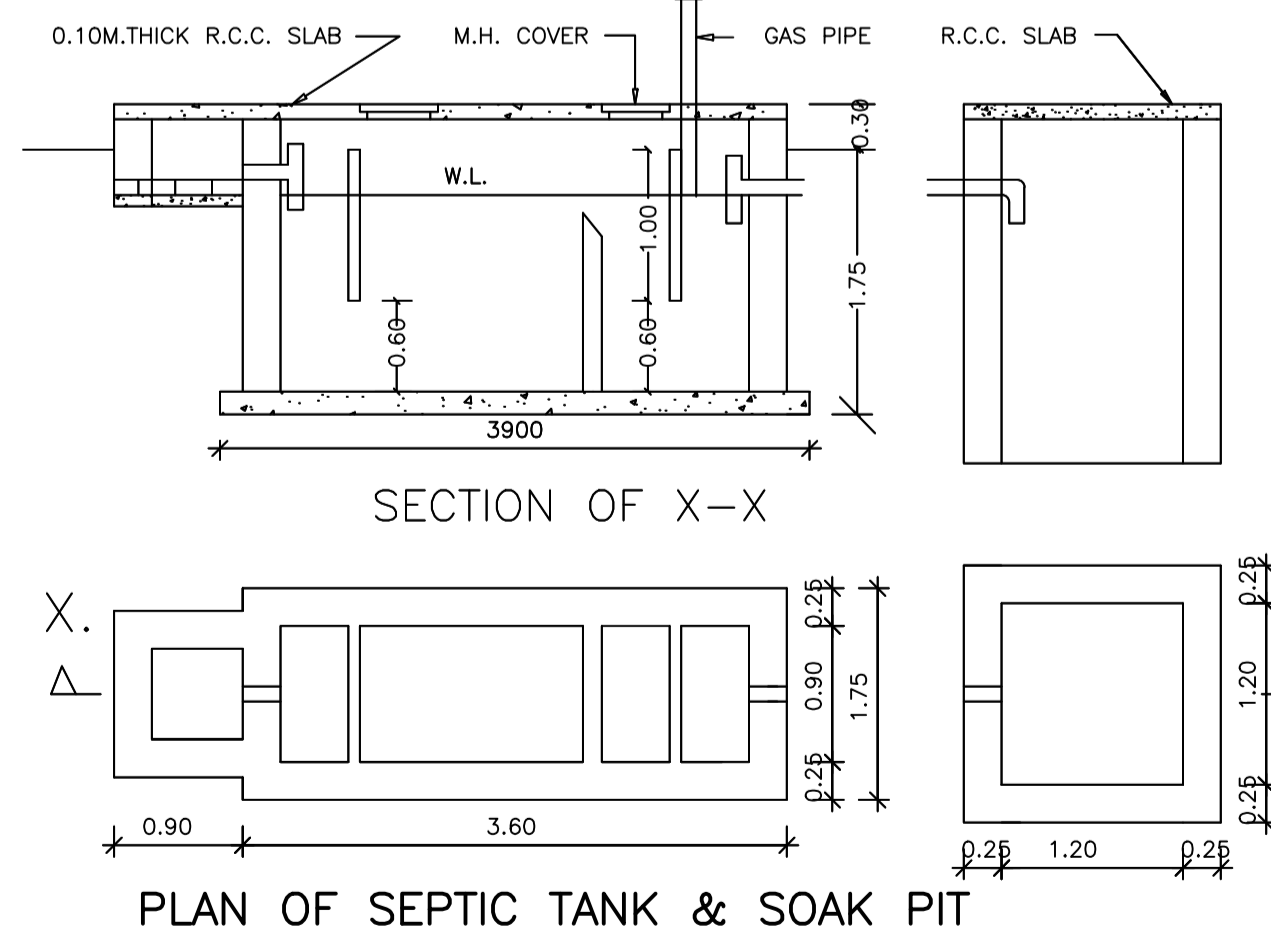
BUILDING NAME	NAME	LENGTH	HEIGHT	NOS
A (RESIDENTIAL BUILDING G1)	D3	0.75	2.10	06
A (RESIDENTIAL BUILDING G1)	D1	1.00	2.10	02
A (RESIDENTIAL BUILDING G1)	D1	1.05	2.10	12
A (RESIDENTIAL BUILDING G1)	D1	1.09	2.10	02

SCHEDULE OF WINDOW/VENTILATION:

BUILDING NAME	NAME	LENGTH	HEIGHT	NOS
A (RESIDENTIAL BUILDING G1)	V	0.60	0.60	06
A (RESIDENTIAL BUILDING G1)	W1	1.50	1.20	12
A (RESIDENTIAL BUILDING G1)	W	1.80	1.50	02



DETAIL OF GROUND WATER RECHARGING PIT WITH SILT TANK

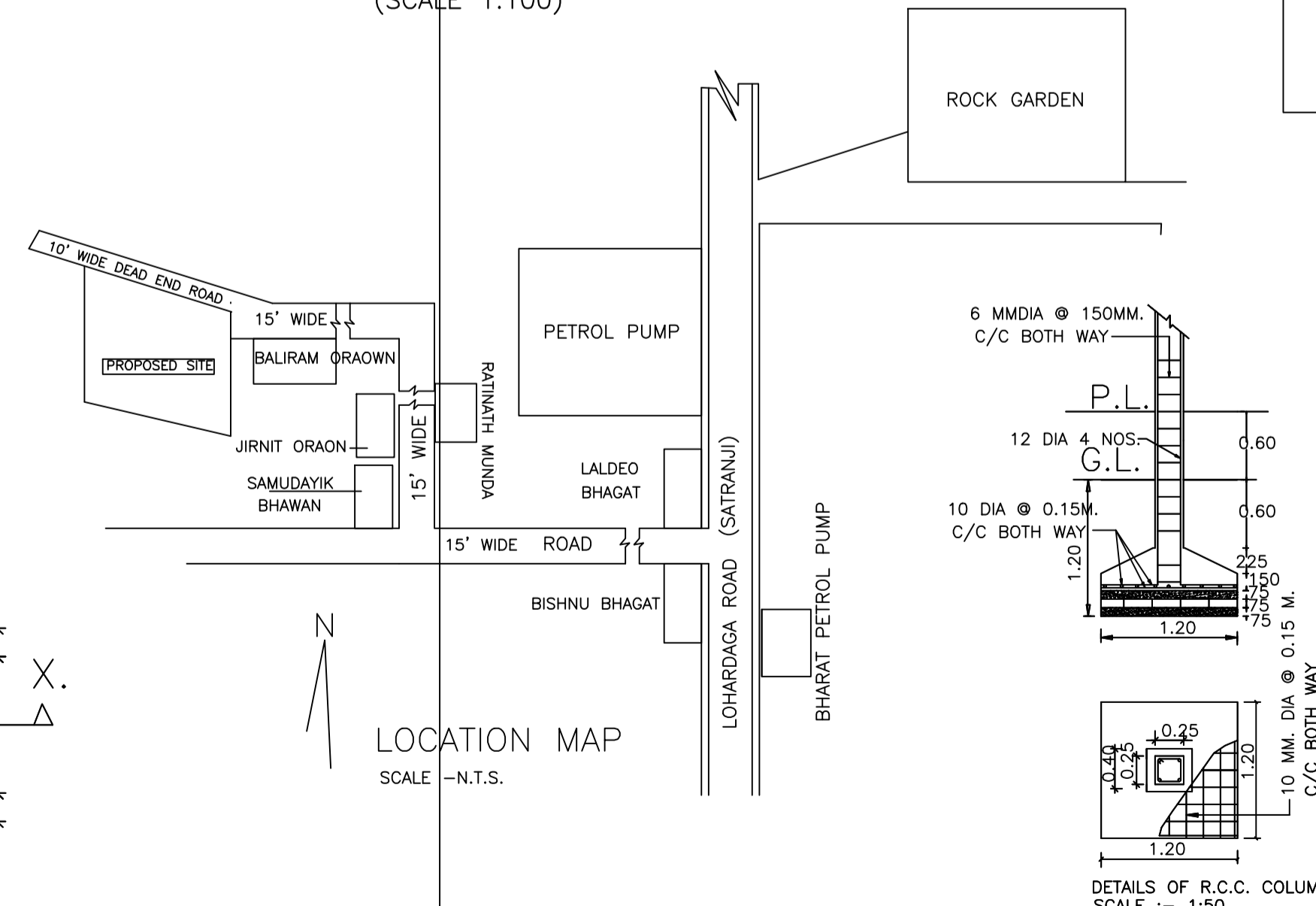


PLAN OF SEPTIC TANK & SOAK PIT

Buildingwise Floor FAR Details

Floor Name	Building Name		Total	
	A (RESIDENTIAL BUILDING G1)	Proposed Built Up Area (Sq.mt.)	Proposed FAR Area (Sq.mt.)	Total Proposed Built Up Area (Sq.mt.) Total FAR Area (Sq.mt.)
Ground Floor	124.76	124.76	124.76	124.76
First Floor	124.76	124.76	124.76	124.76
Terrace Floor	0.00	0.00	0.00	0.00
Total :	249.52	249.52	249.52	249.52

TERRACE FLOOR PLAN (SCALE 1:100)



LOCATION MAP SCALE - N.T.S.

COLOR INDEX	
PLOT BOUNDARY	[Red Line]
ABUTTING ROAD	[Green Line]
PROPOSED CONSTRUCTION	[Blue Line]
COMMON PLOT	[Yellow Line]
ROAD WIDENING AREA	[Orange Line]
EXISTING (To be retained)	[Purple Line]
EXISTING (To be demolished)	[Brown Line]

Building USE/SUBUSE Details

Building Name	Building Use	Building SubUse	Building Structure
A (RESIDENTIAL BUILDING G1)	Residential	Bungalow/ Dwelling / Non Apartment	Non-Highrise

UnitBUA Table for Building :A (RESIDENTIAL BUILDING G1)

FLOOR	Name	UnitBUA Type	UnitBUA Area	Carpet Area	No. of Rooms	No. of Tenement
GROUND FLOOR PLAN	SPLIT A	FLAT	249.52	218.40	10	1
FIRST FLOOR PLAN	SPLIT A	FLAT	0.00	0.00	10	0
Total	-	-	249.52	218.40	20	1

LTP NAME AND SIGNATURE	STRUCTURAL ENG'S NAME AND SIGNATURE	BUILDER NAME AND SIGNATURE	DIGITAL SIGNATURE
UMESH LAKRA GUNPC/ENG/0001/2017			