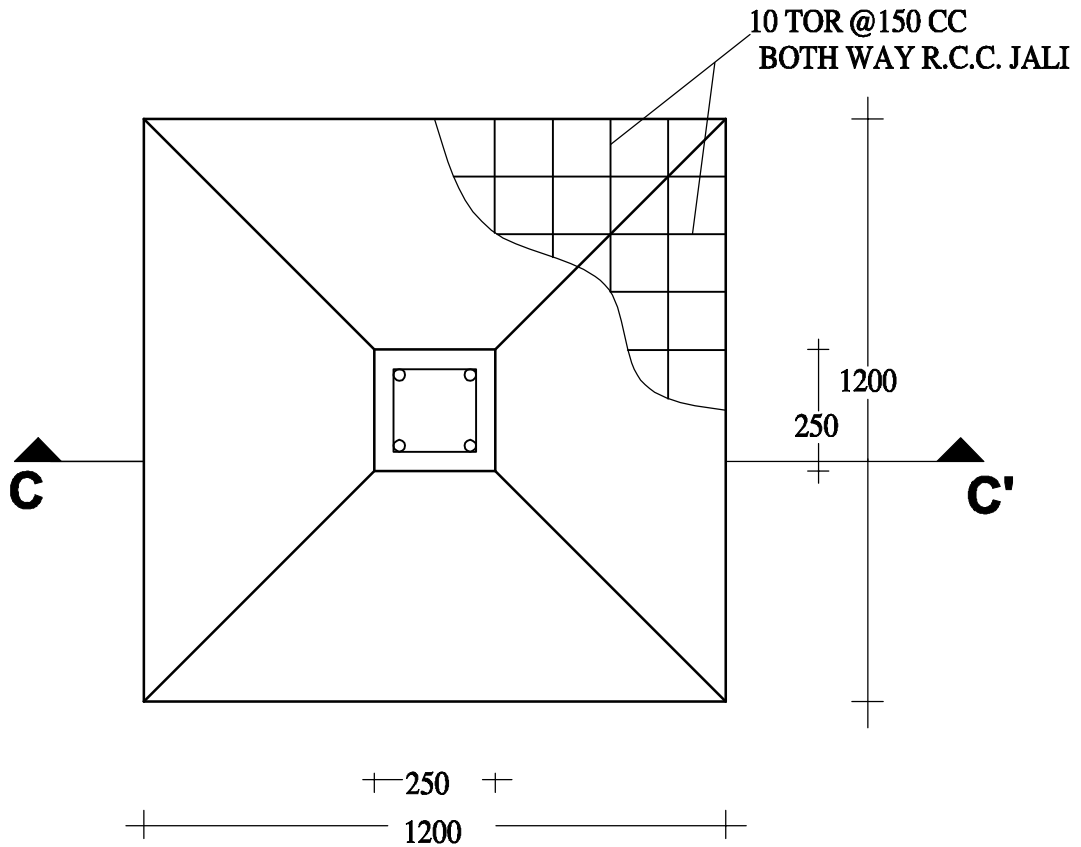


**SECTION C-C'**



**PLAN**