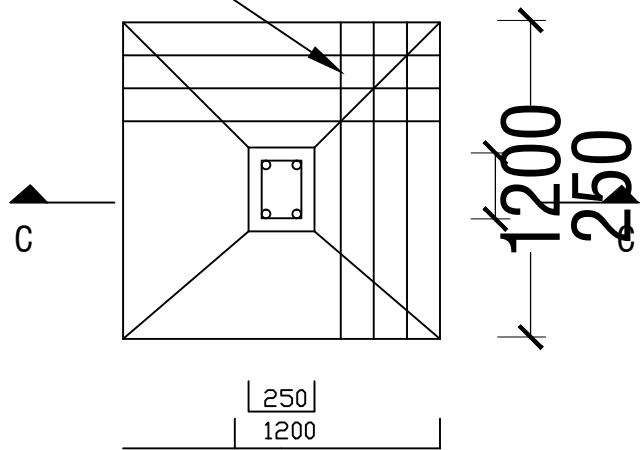


10 TOR @150 C/C BOTH WAY
R.C.C. JALI



PLAN

DETAIL OF FOUNDATION

Structure Detail

