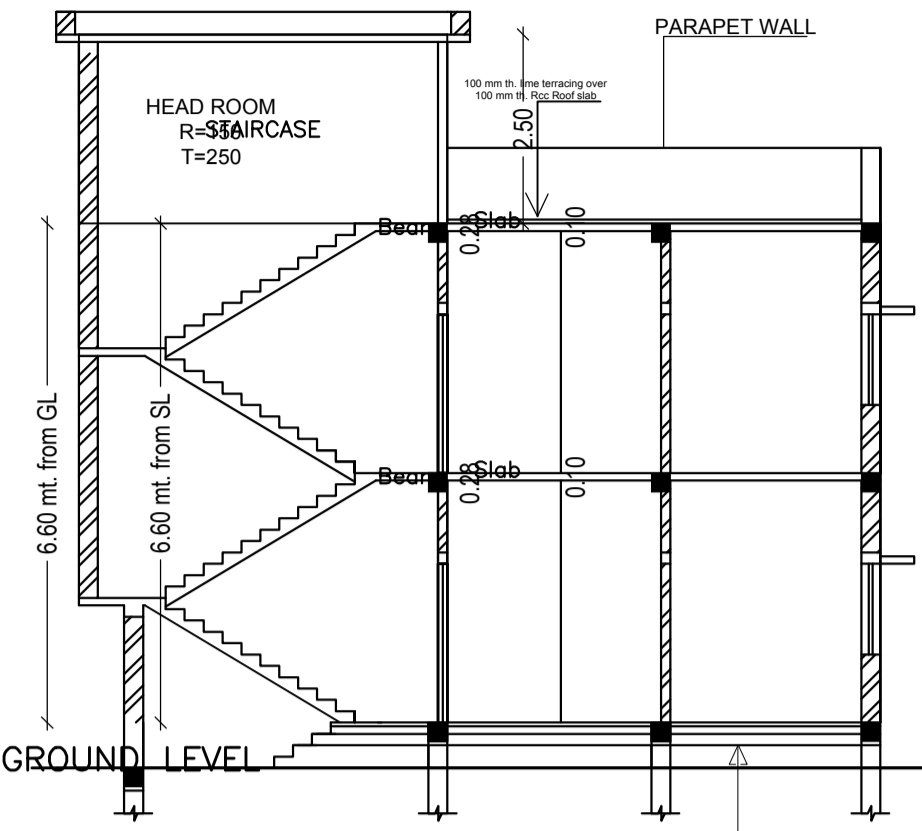


Proposal Basic Information

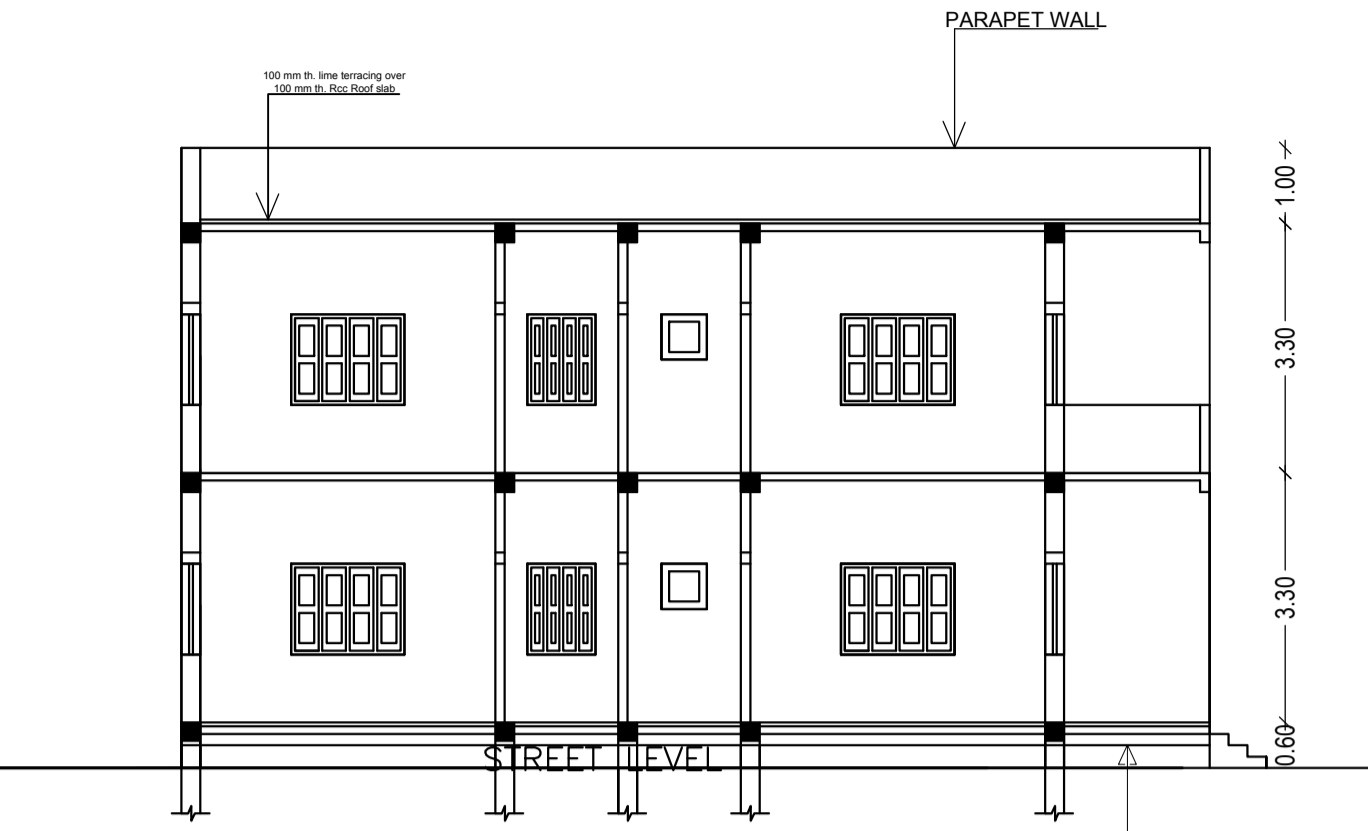
Proposal File No.	GUNPC/BP/0008/W03/2020
Owner Name	ALEXCIA MINZ
Khata No	62,67
Plot No	1126,1127
Village Name	Dundurya
Use	Residential
SubUse	Bungalow/ Dwelling / Non Apartment

COLOR INDEX

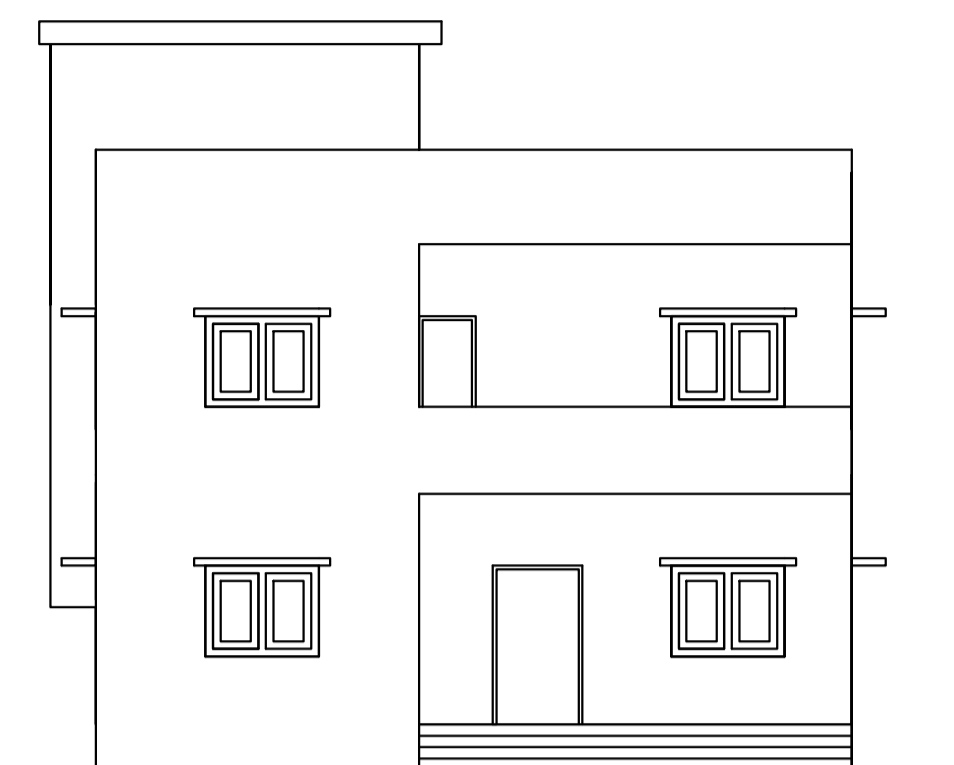
PLOT BOUNDARY	Black
ABUTTING ROAD	Green
PROPOSED CONSTRUCTION	Red
COMMON PLOT	Yellow
ROAD WIDENING AREA	Blue
EXISTING (To be retained)	Orange
EXISTING (To be demolished)	Light Blue



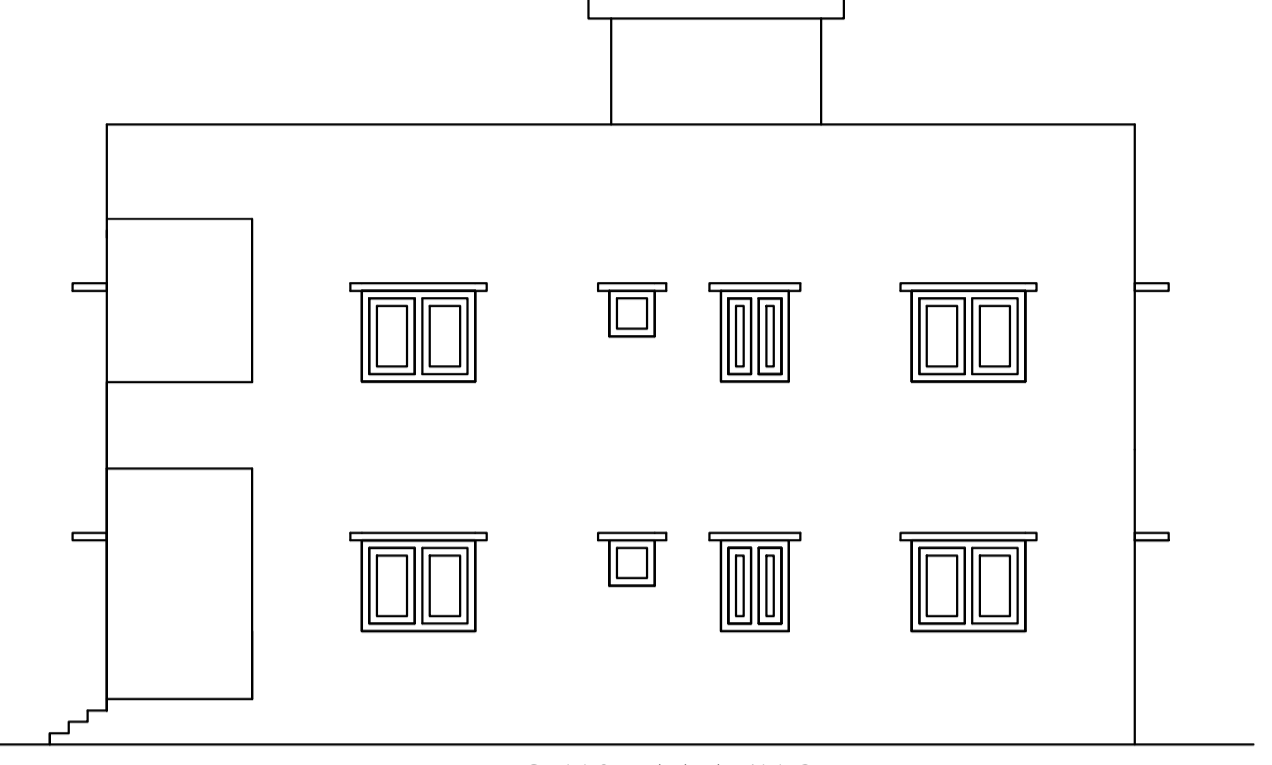
SECTION AT-XX
SCALE 1:100



SECTION AT-YY
SCALE 1:100



FRONT ELEVATION
SCALE 1:100



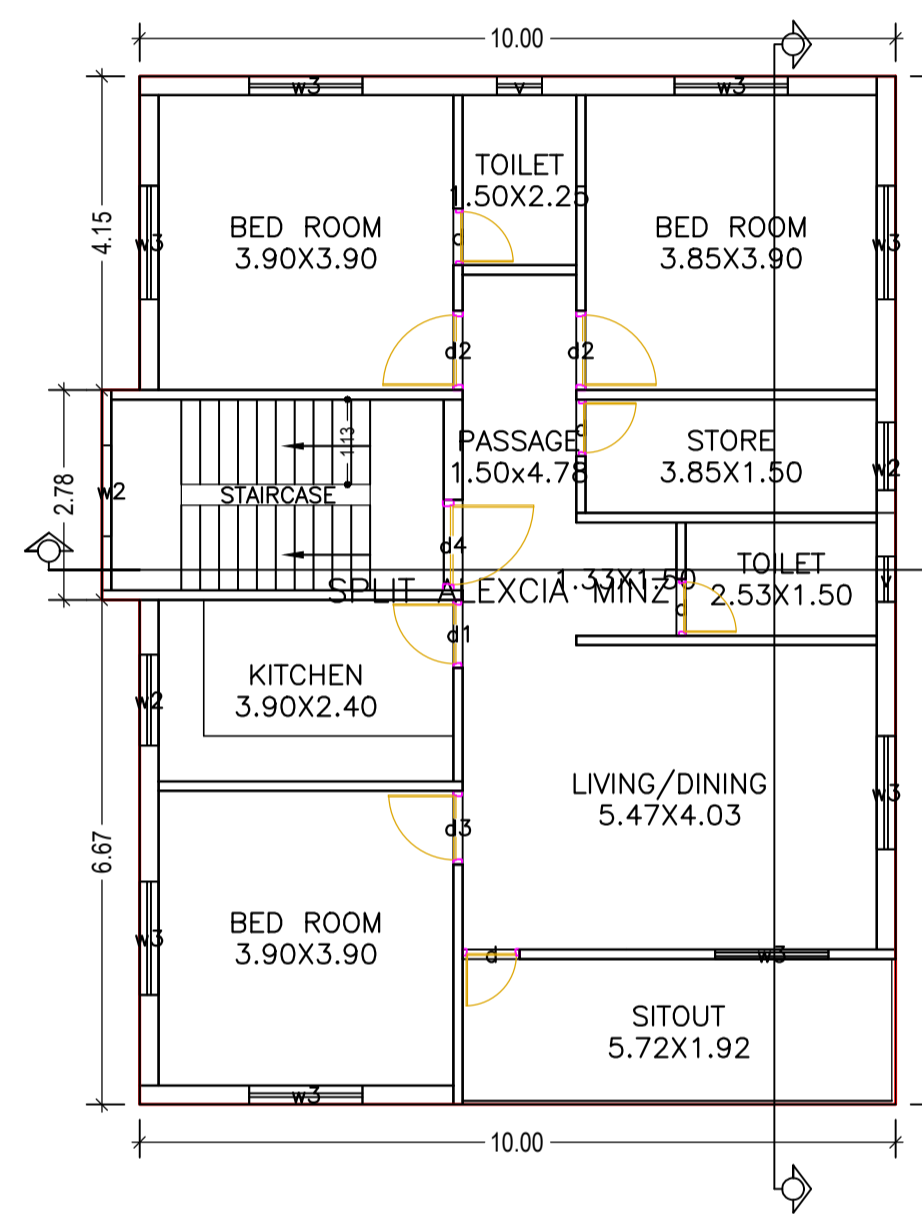
RIGHT SIDE ELEVATION
SCALE 1:100

Buildingwise Floor FAR Details

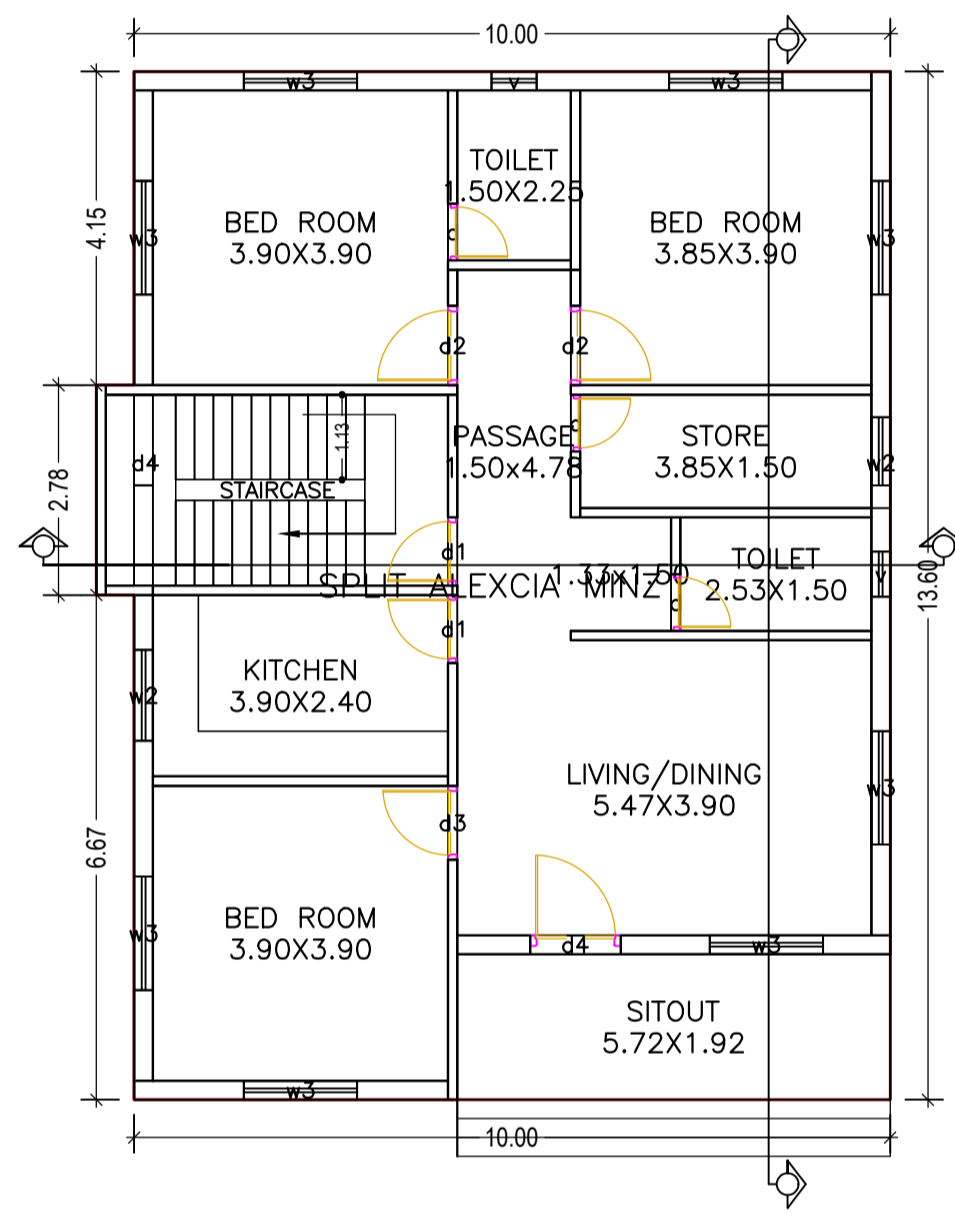
Floor Name	Building Name		Total Proposed Built Up Area (Sq.mt.)	Total FAR Area (Sq.mt.)
	A (ALEXCIA MINZ)	Proposed FAR Area (Sq.mt.)		
Ground Floor	137.39	137.39	137.39	137.39
First Floor	137.39	137.39	137.39	137.39
Terrace Floor	0.00	0.00	0.00	0.00
Total :	274.78	274.78	274.78	274.78

Building :A (ALEXCIA MINZ)

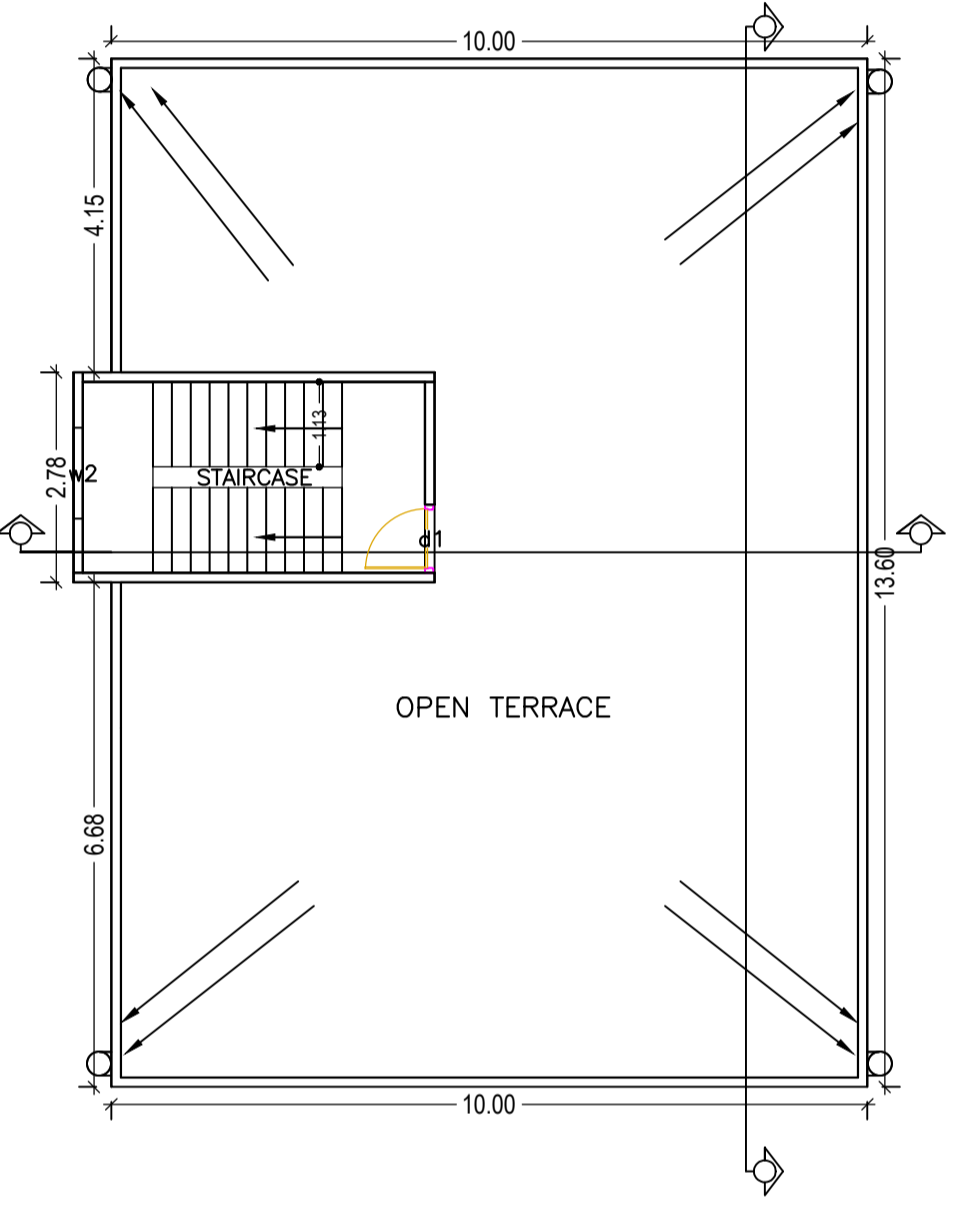
Floor Name	Total Built Up Area (Sq.mt.)	Proposed FAR Area (Sq.mt.)	Total FAR Area (Sq.mt.)	Total Consumed Additional FAR Area (Sq.mt.)	Tnmt (No.)
Ground Floor	137.39	137.39	137.39	137.39	01
First Floor	137.39	137.39	137.39	137.39	00
Terrace Floor	0.00	0.00	0.00	0.00	00
Total :	274.78	274.78	274.78	274.78	01



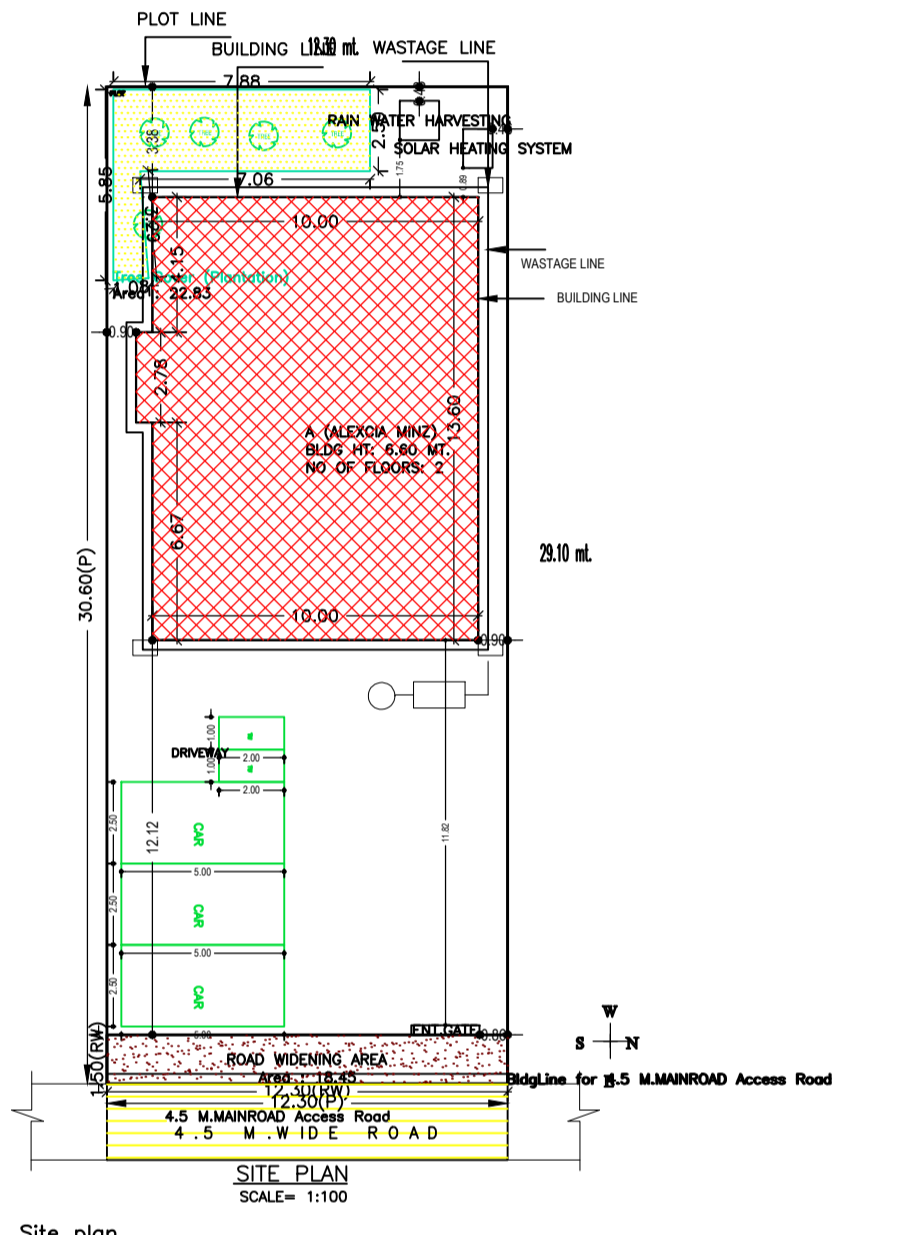
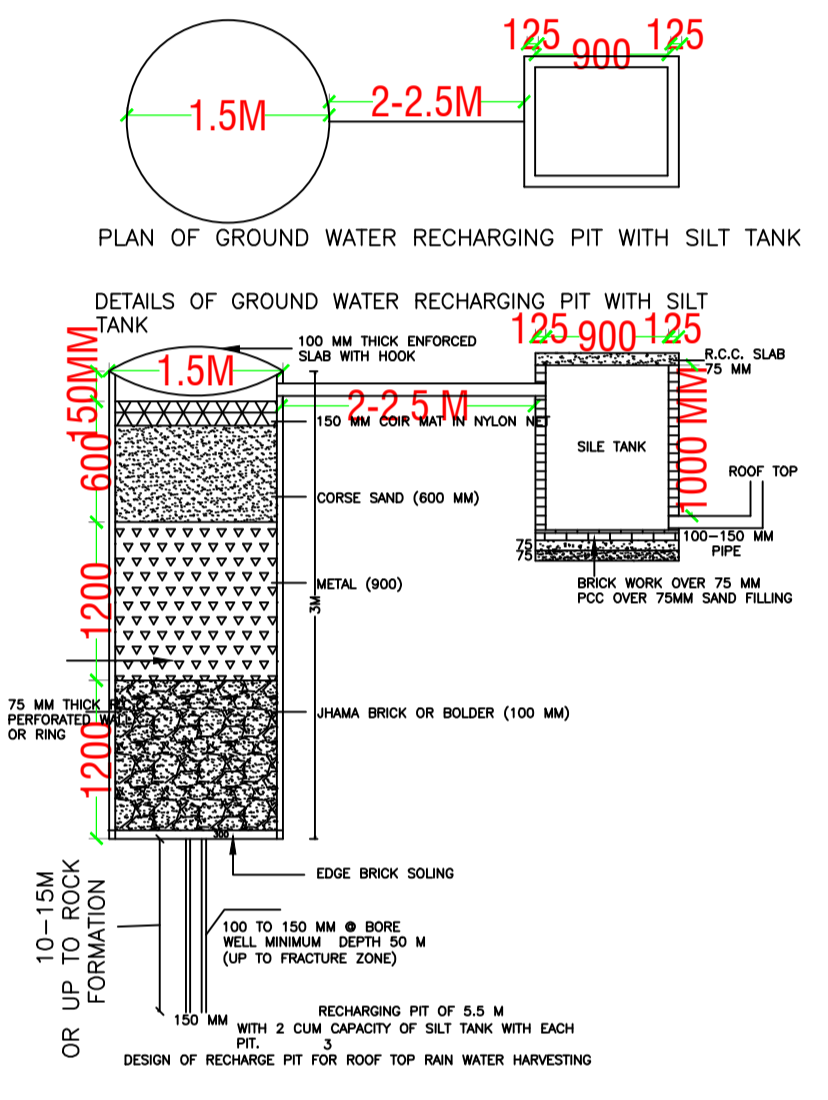
FIRST FLOOR PLAN
(Proposed)
SCALE 1:100



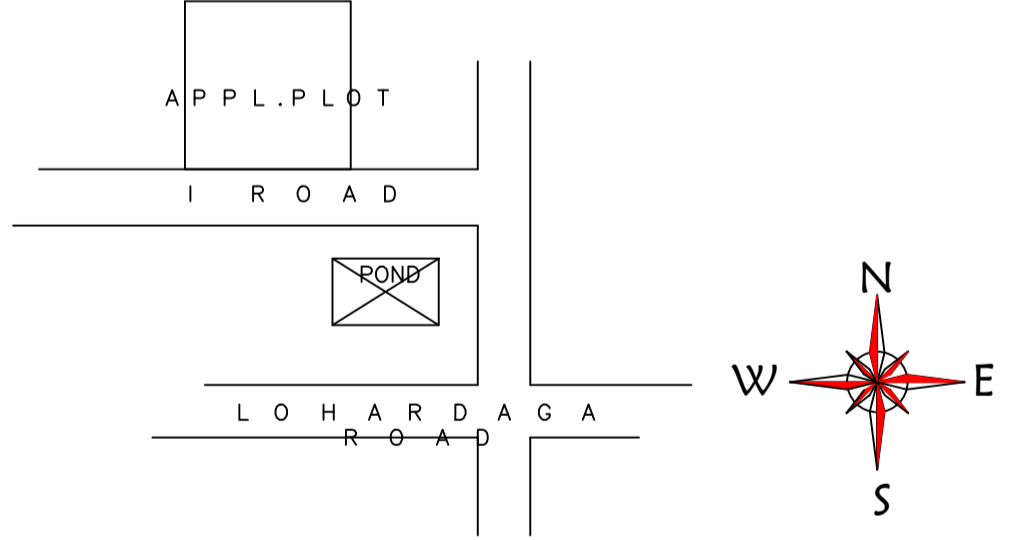
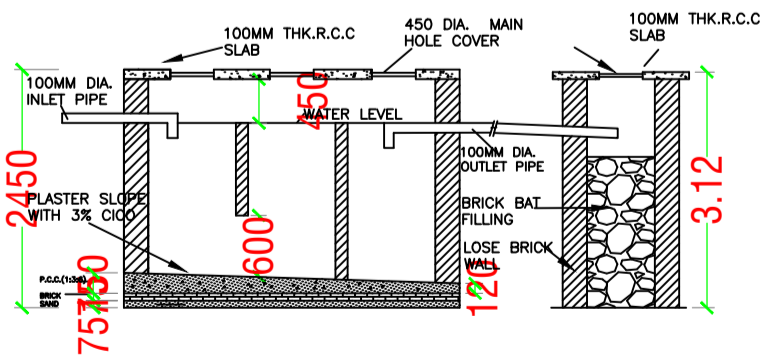
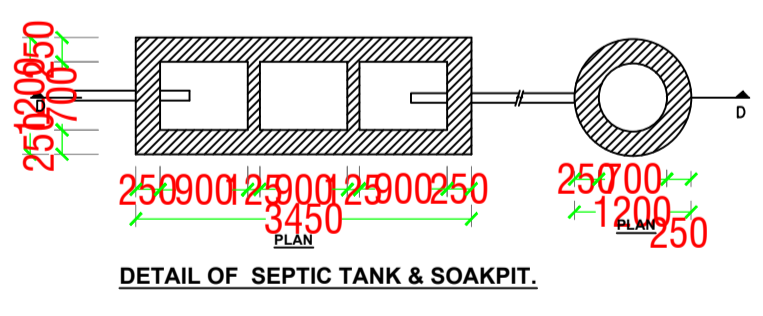
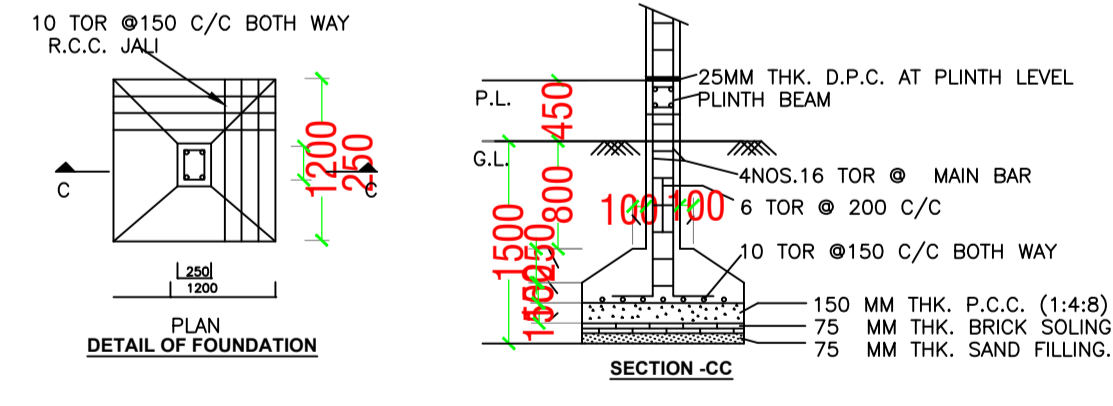
GROUND FLOOR PLAN
(Proposed)
SCALE 1:100



TERRACE FLOOR PLAN
(SCALE 1:100)



Site plan



LOCATION PLAN
N.T.S.

SCHEDULE OF DOOR:

BUILDING NAME	NAME	LENGTH	HEIGHT	NOS
A (ALEXCIA MINZ)	d	0.75	2.10	07
A (ALEXCIA MINZ)	d1	0.90	2.10	03
A (ALEXCIA MINZ)	d3	0.98	2.10	02
A (ALEXCIA MINZ)	d2	1.05	2.10	04
A (ALEXCIA MINZ)	d4	1.20	2.10	02

SCHEDULE OF WINDOW/VENTILATION:

BUILDING NAME	NAME	LENGTH	HEIGHT	NOS
A (ALEXCIA MINZ)	v	0.60	0.60	04
A (ALEXCIA MINZ)	w2	1.20	1.20	06
A (ALEXCIA MINZ)	w3	1.50	1.20	16

UnitBUA Table for Building :A (ALEXCIA MINZ)

FLOOR	Name	UnitBUA Type	UnitBUA Area	Carpet Area	No. of Rooms	No. of Tenement
GROUND FLOOR PLAN	SPLIT ALEXCIA MINZ	FLAT	274.78	244.17	10	1
FIRST FLOOR PLAN	SPLIT ALEXCIA MINZ	FLAT	0.00	0.00	10	0
Total:	-	-	274.78	244.17	20	1

Building USE/SUBUSE Details

Building Name	Building Use	Building SubUse	Building Structure
A (ALEXCIA MINZ)	Residential	Bungalow/ Dwelling / Non Apartment	Non-Highrise

FAR & Tenement Details (Table 4c-1)

Building	No. of Same Bldg	Total Built Up Area (Sq.mt.)	Proposed FAR Area (Sq.mt.)	Total FAR Area (Sq.mt.)	Total Consumed Additional FAR Area (Sq.mt.)	Tnmt (No.)
A (ALEXCIA MINZ)	1	274.78	274.78	274.78	274.78	01
Grand Total :	1	274.78	274.78	274.78	274.78	01

LTP NAME AND SIGNATURE	STRUCTURAL ENG'S NAME AND SIGNATURE	BUILDER NAME AND SIGNATURE	DIGITAL SIGNATURE
DEEPAK DIWAN GUNPC/ARC/0003/2017			