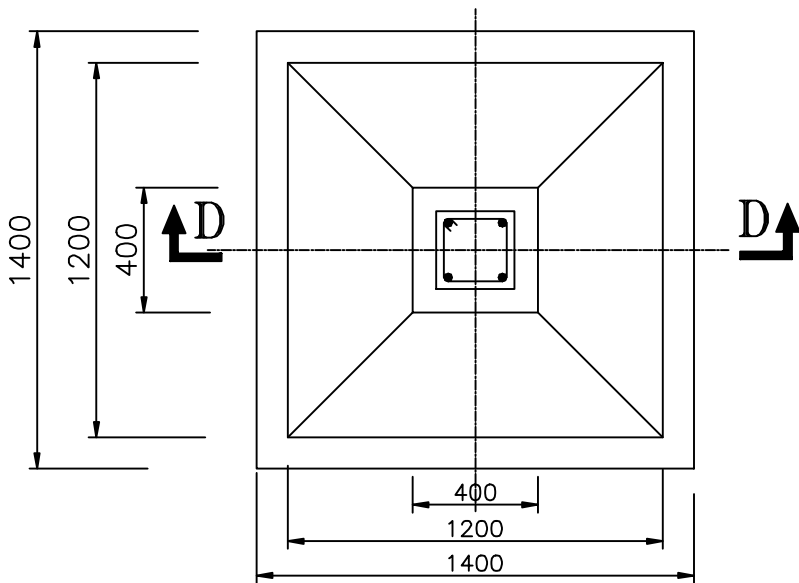


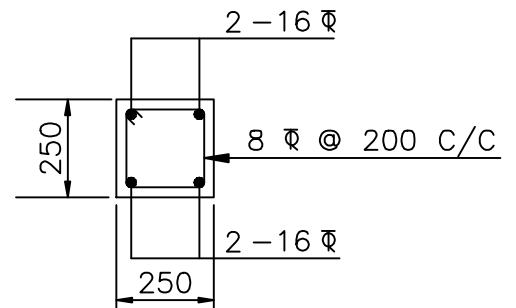
SECTION D-D

SCALE 1:25



DETAILS OF FOUNDATION

SCALE 1:25



SECTION E-E

SCALE 1:25