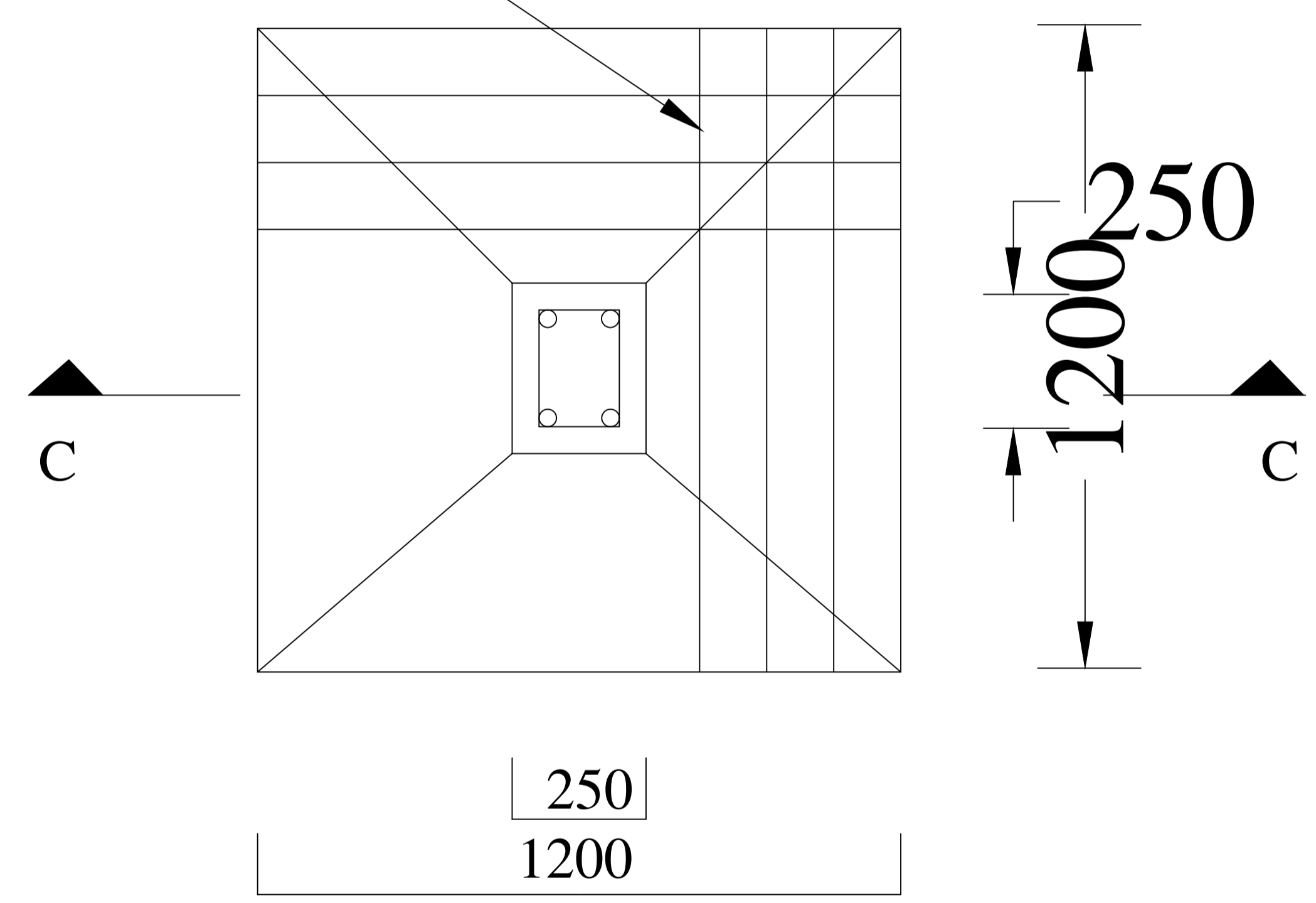


SECTION -CC

10 TOR @ 150 C/C
 BOTH WAY
 R.C.C. JALI



PLAN
DETAIL OF FOUNDATION