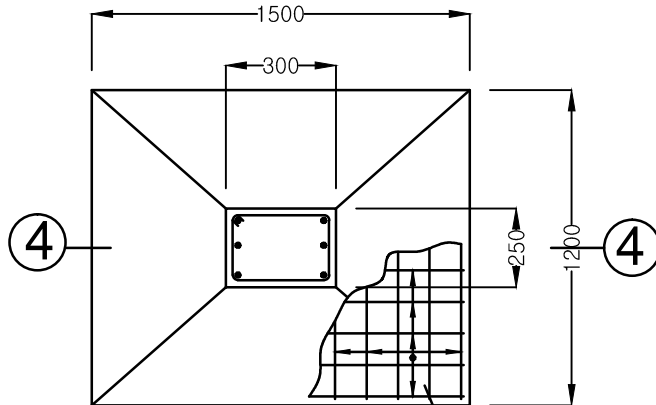


150mm. THK. P.C.C. (1:3:6)
 75mm. THK. F.B. SOLLING
 75mm. THK. SAND FILLING

SECTION 4-4



10 $\bar{\text{T}}$ @ 125 C/C
 (BOTH DIRECTION)

FOUNDATION PLAN OF COLUMN