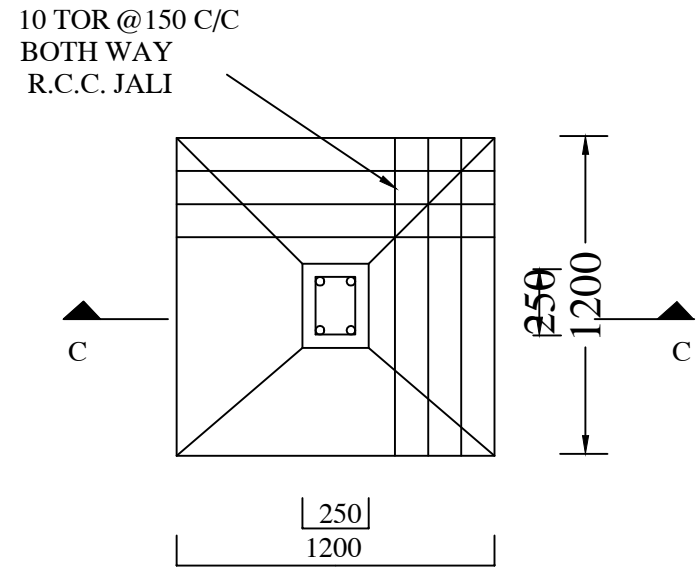


Structure Detail

**SECTION -CC**



PLAN

**DETAIL OF FOUNDATION**