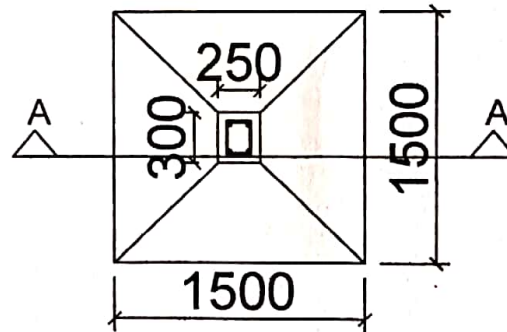


SECTION A-A



DETAIL OF FOUNDATION

Structure Detail

Structure Detail

Ashish T. P. Baroo