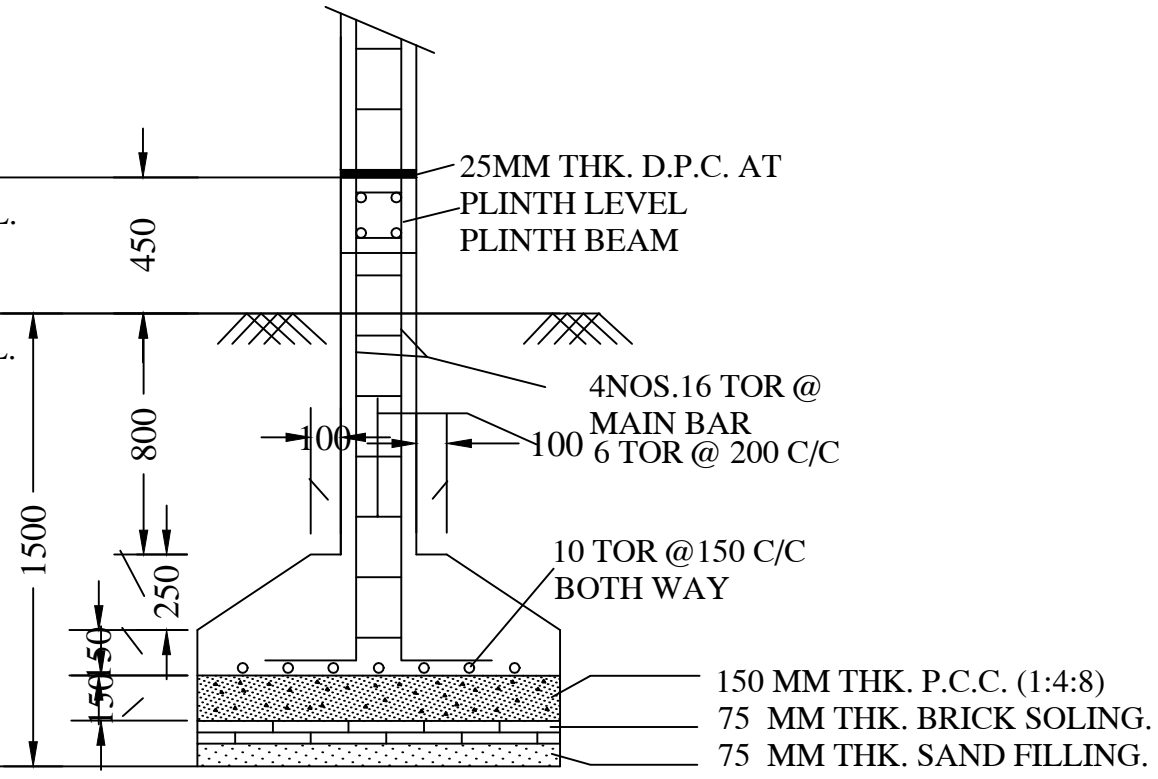
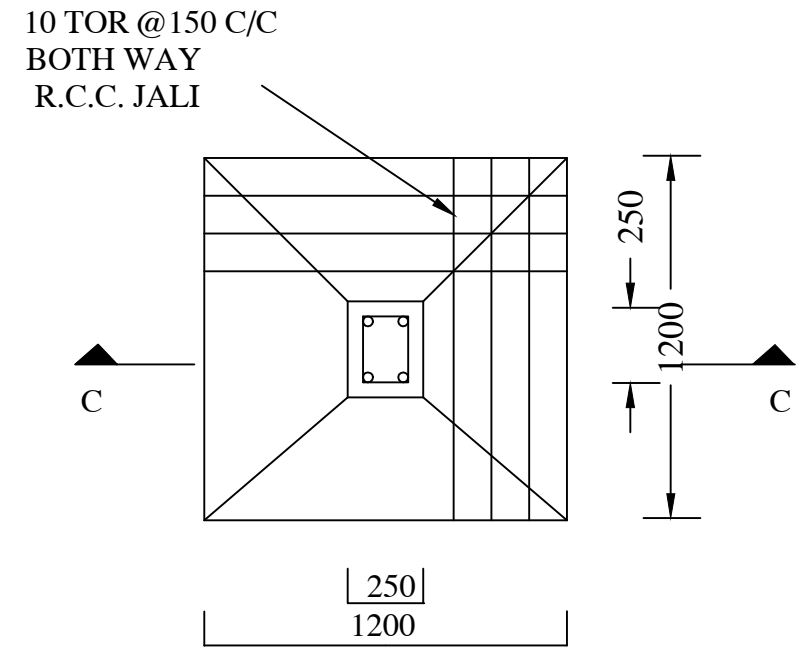


PRODUCED BY AN AUTODESK EDUCATIONAL PRODUCT

PRODUCED BY AN AUTODESK EDUCATIONAL PRODUCT



Structure Detail **SECTION -CC**



PLAN  
**DETAIL OF FOUNDATION**