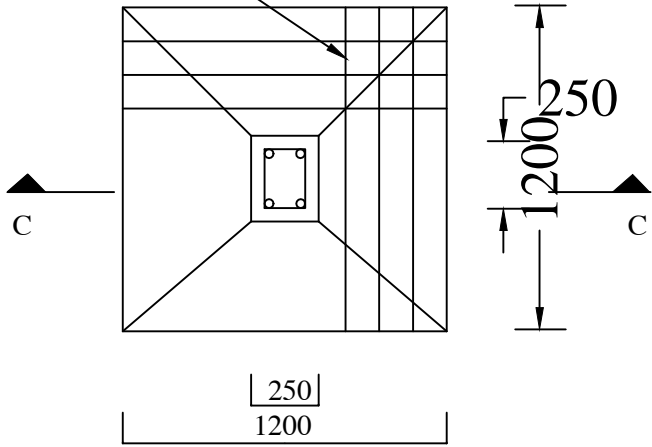
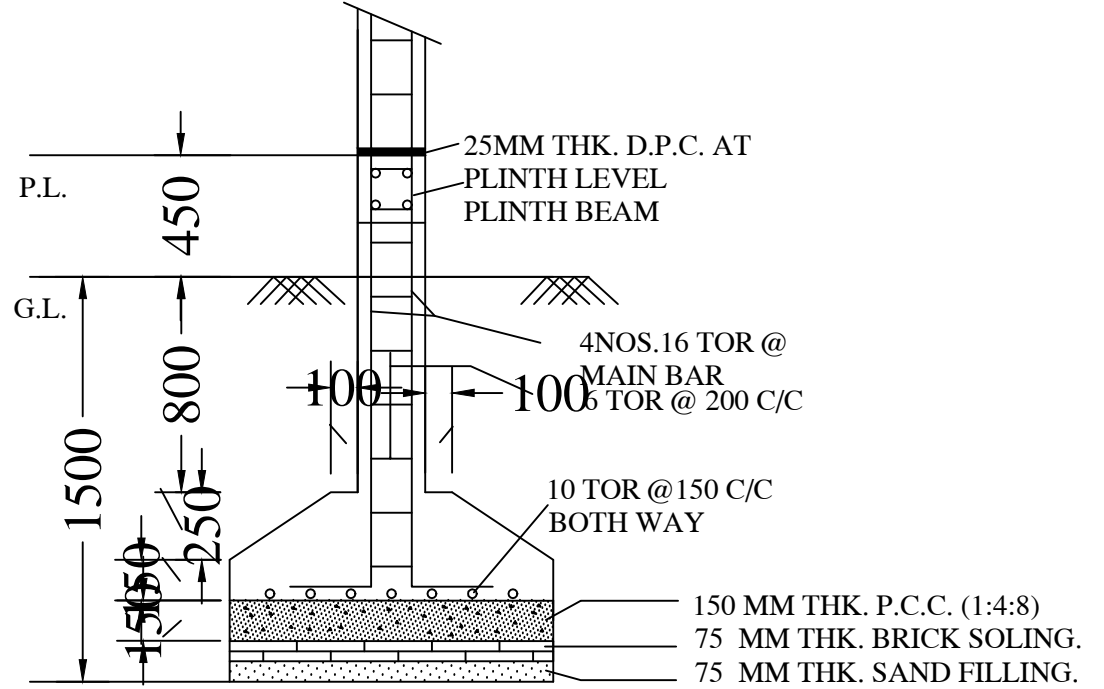


10 TOR @150 C/C  
BOTH WAY  
R.C.C. JALI



PLAN

**DETAIL OF FOUNDATION**



**SECTION -CC**

Structure Detail