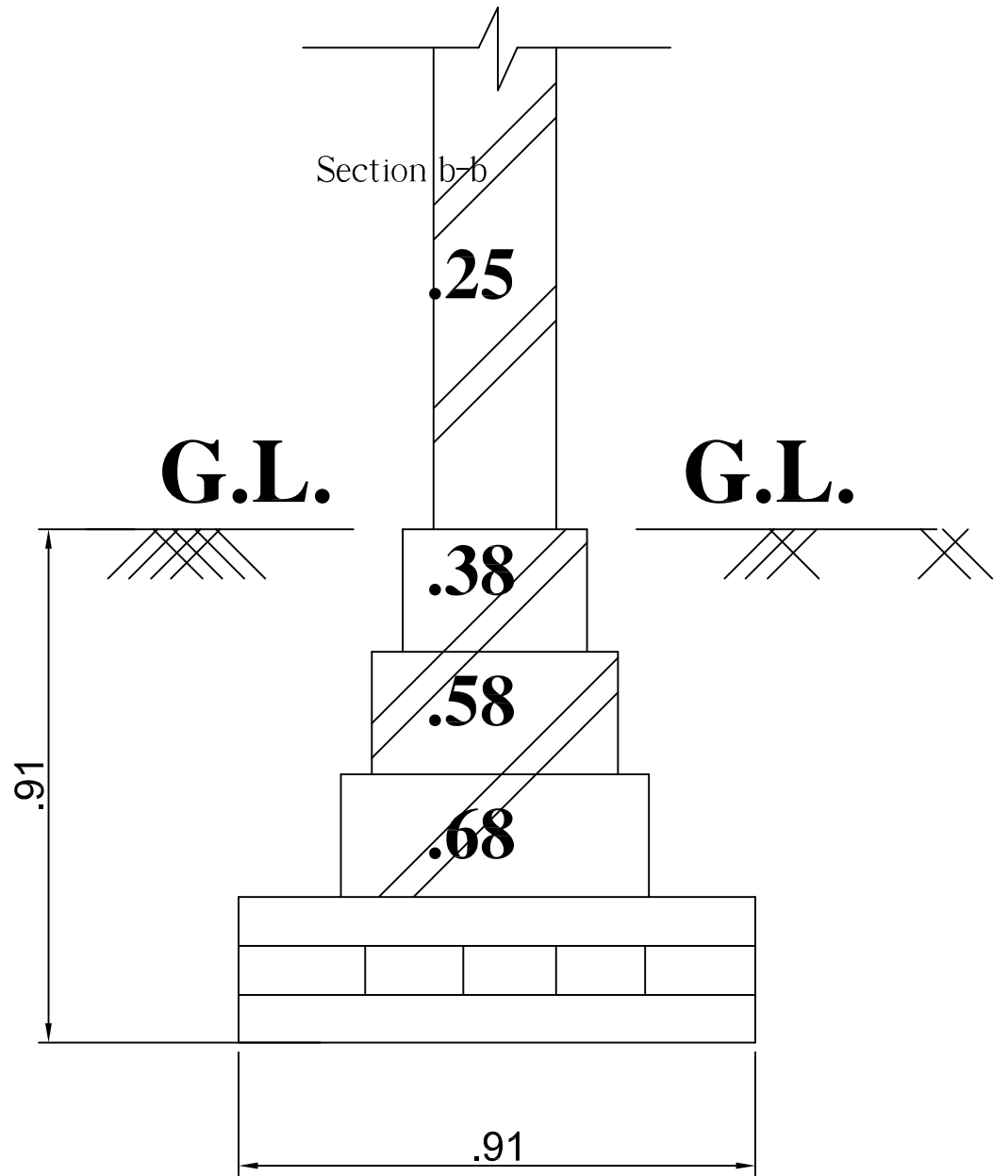
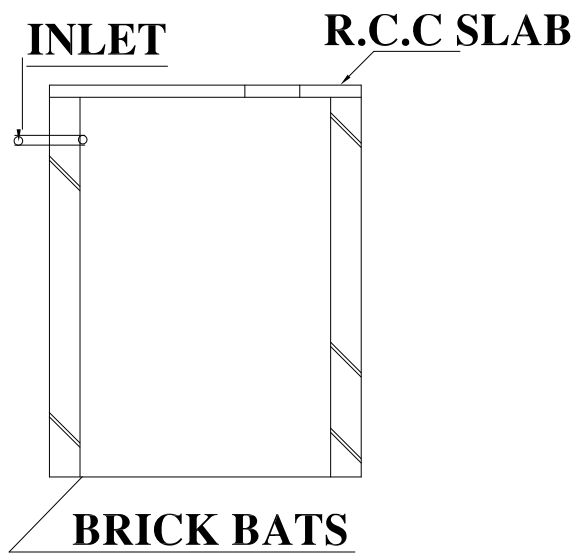
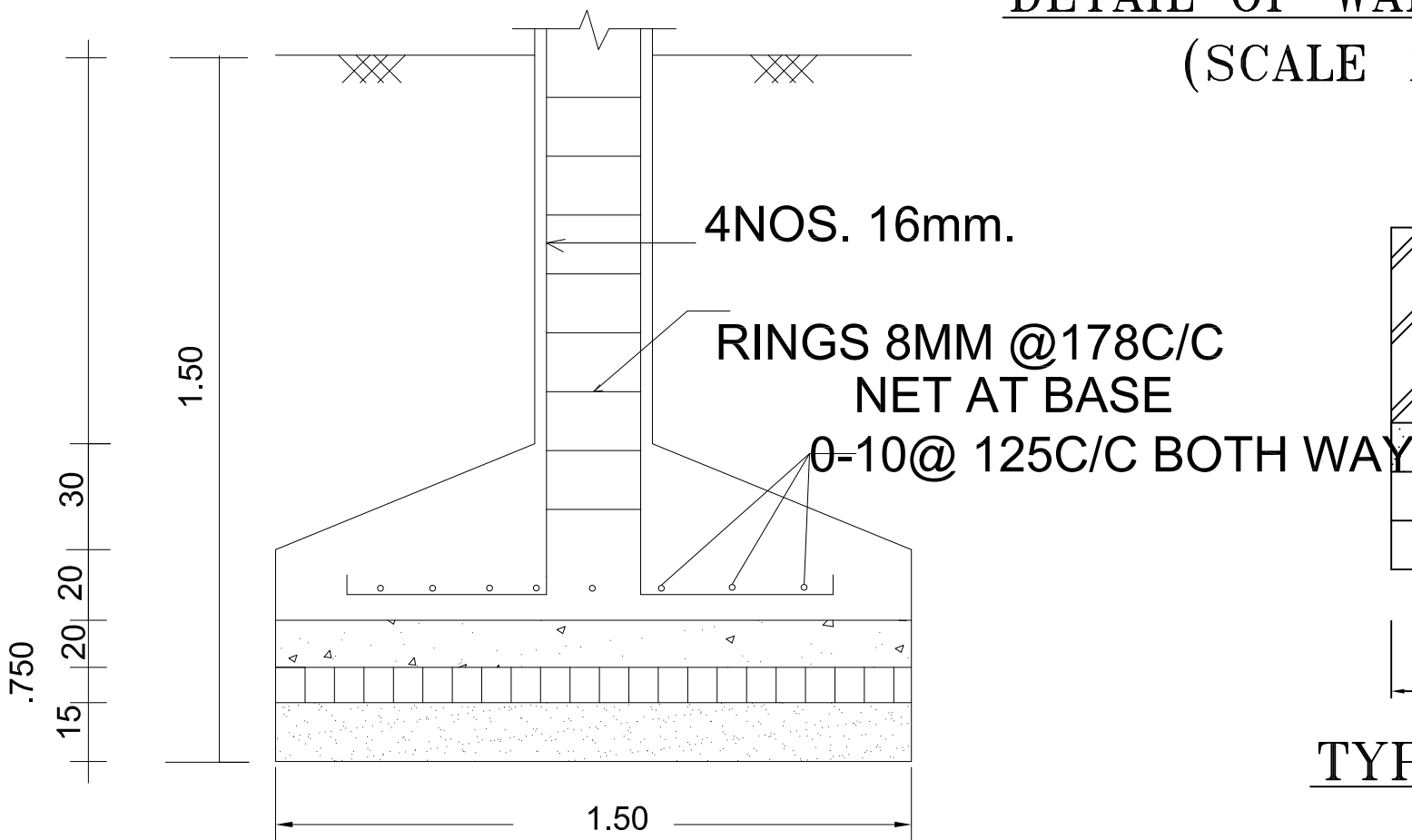


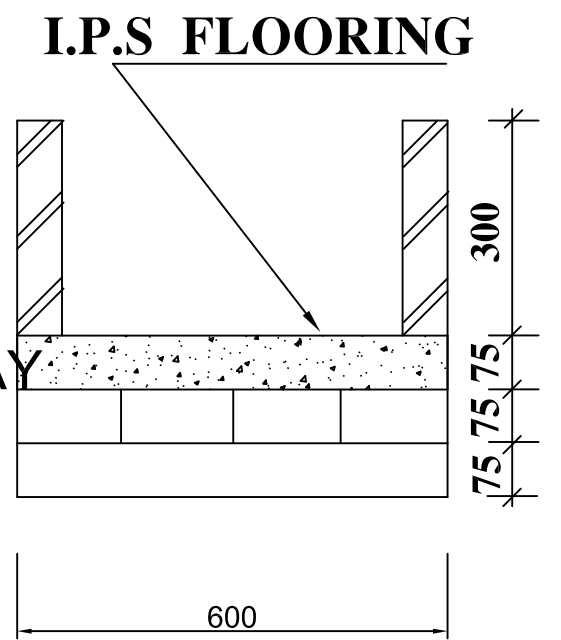
DETAILS OF S.TANK & S.PIT



DETAIL OF WALL FOUNDATION  
(SCALE 1:50)



SECTION ELEVATION



TYP. SEC OF DRAIN