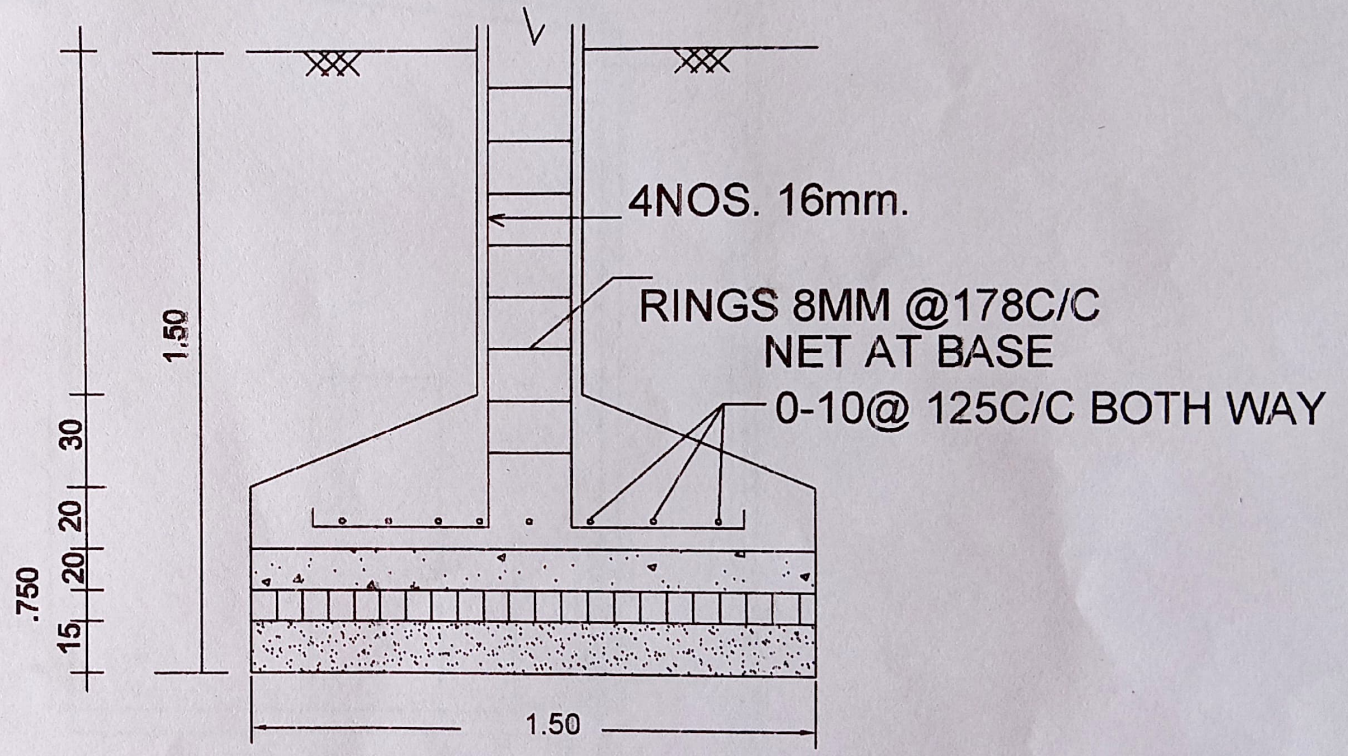


A: 2 RECHARGING PITS REQUIRE OF 150 SQFT.  
 WITH 6-7 CUM CAPACITY WATER SETTLING  
 TANK WITH EACH RECHARGE PIT  
 B: 16 SQ.FT.



### SECTION ELEVATION

Structure Detail

*Chanda Lall*