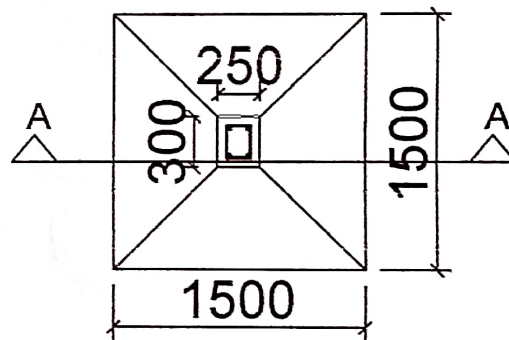


**SECTION A-A**



**DETAIL OF FOUNDATION**

# Structure Detail

Structure Detail

रोशनी तिकरी