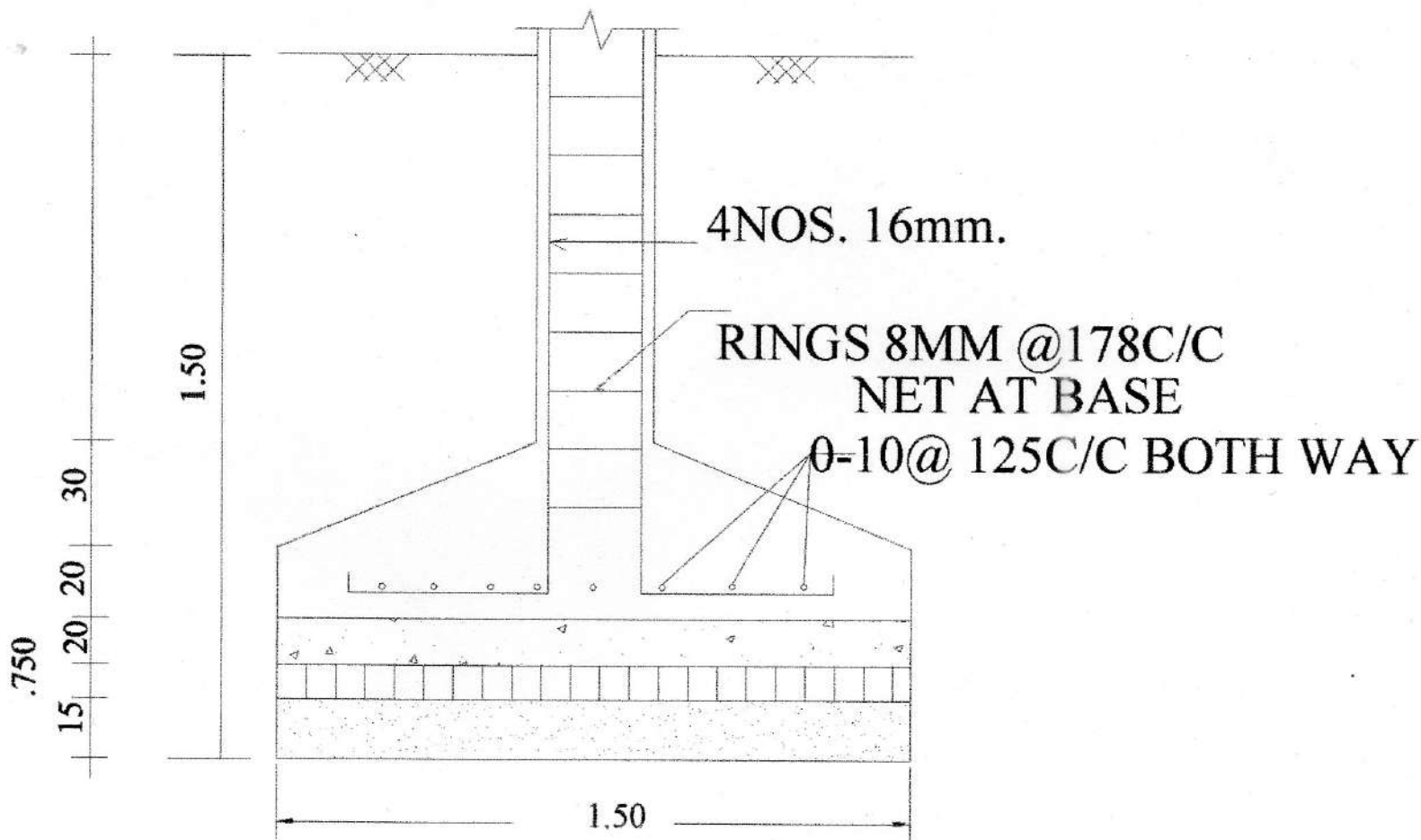


PLAN OF COLUMN



SECTION ELEVATION

pradeep Kumar Say