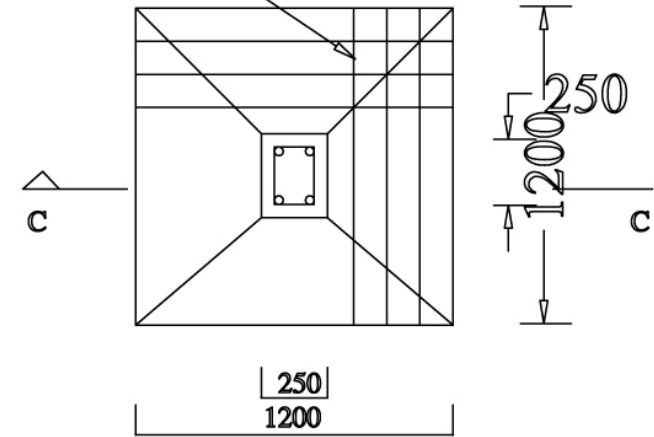


10 TOR @ 150 C/C
BOTH WAY
R.C.C. JALI



Structure Detail

Deepa

Abhishek Kumar सुलेखा देवी

GUNPC/ARC/0003/2017