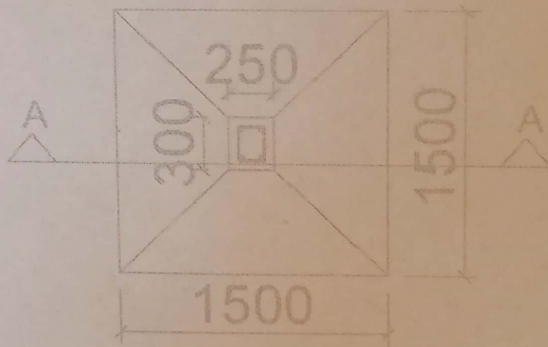


SECTION A-A



DETAIL OF FOUNDATION

# Structure Detail

tructure Detail

Roshan Lakra  
✓