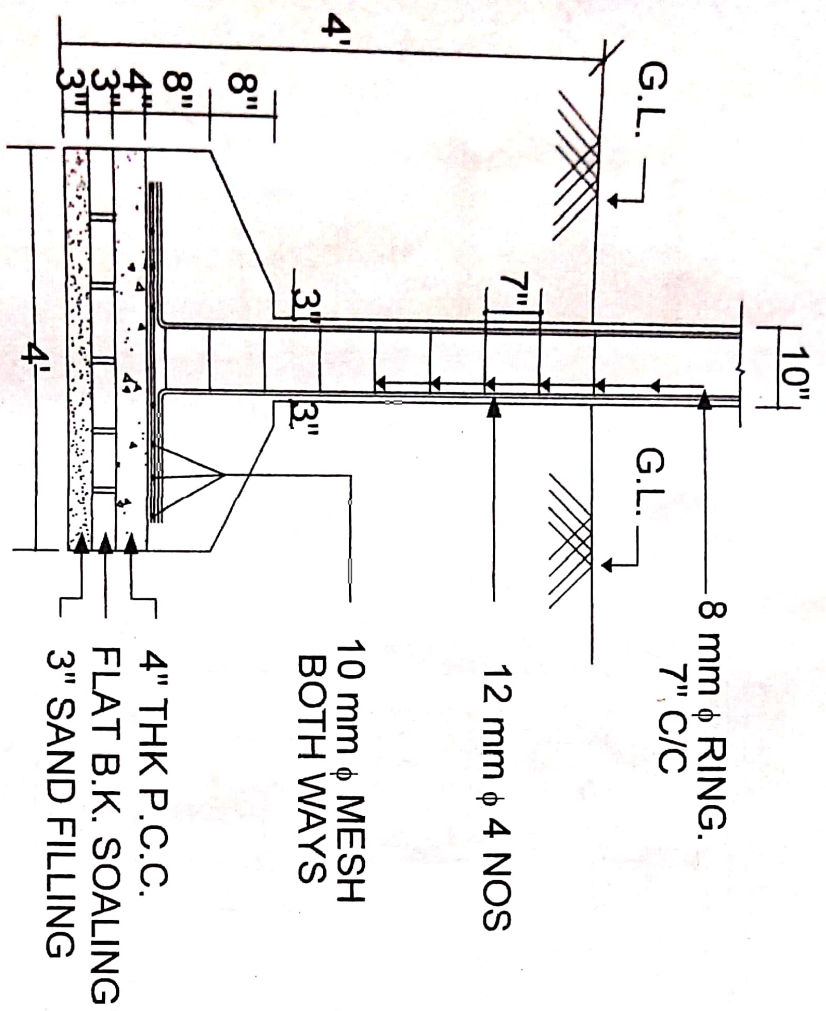


# R.C.C. COLUMN FDN. DETAIL

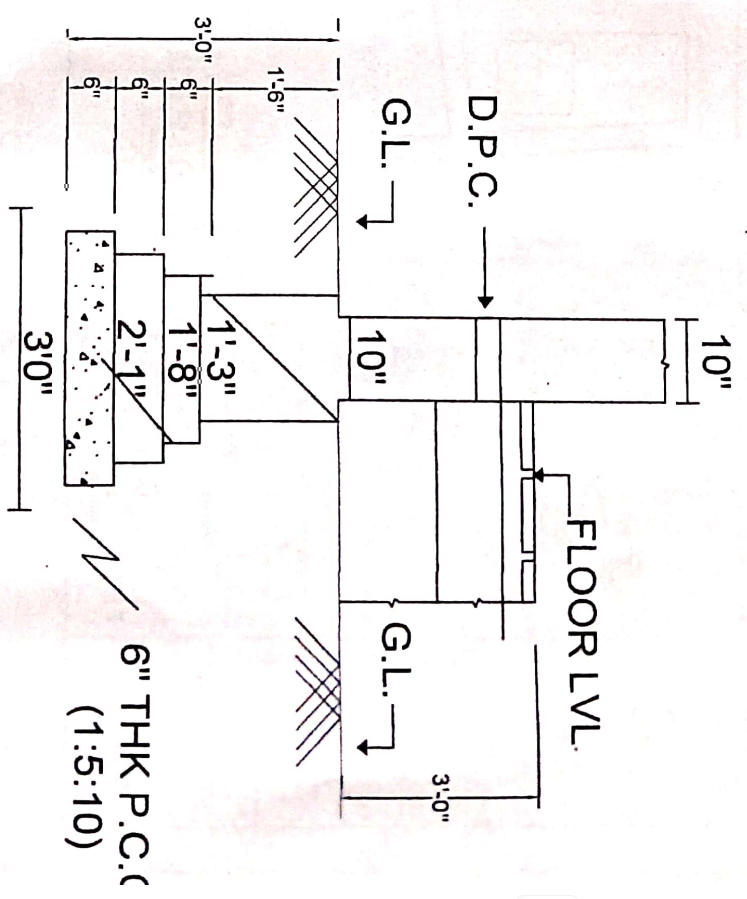
SCALE 1" = 2'-0"



10 mm  $\phi$  MESH BOTH WAYS  
 4" THK P.C.C.  
 FLAT B.K. SOALING  
 3" SAND FILLING  
 12 mm  $\phi$  4 NOS  
 8 mm  $\phi$  RING.  
 7" C/C  
 G.L.

# BRICK WALL FDN.

SCALE 1" = 2'-0"



6" THK P.C.C. (1:5:10)  
 FLOOR LVL.  
 D.P.C.  
 G.L.  
 10"  
 3'-0"  
 1'-3"  
 1'-8"  
 2'-1"  
 3'-0"  
 1'-6"  
 6"  
 6"  
 6"  
 6"

N.B. Top Pps